



**BRAND** Electric Mirror

**DESCRIPTION**

Eternity lighted mirror with TV features 15.6 inch LED HDTV integrated into mirror. AV mirror technology provides reflective surface when TV is off. 720p, 1080i, 16:9 widescreen ratio. Waterproof buoyant remote included. HDMI and RF input. Micros integrated state-of-the-art mini-speakers for high quality stereo sound. Left/Right audio out. ATSC/NTSC QAM TV Tuner. Supplied with (5) 36 watt, 120 volt, T5HO fluorescent bulbs. 42 inch diameter by 3 inch depth.

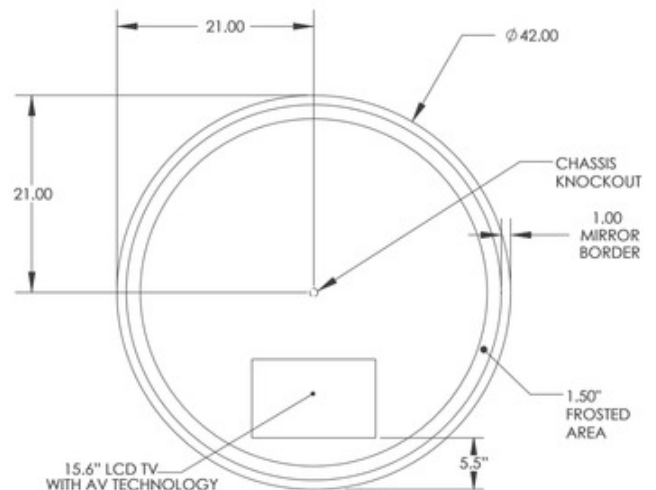


<b>SHADE COLOR</b>	N/A
<b>BODY FINISH</b>	N/A
<b>WATTAGE</b>	131.9W
<b>DIMMER</b>	0-10V
<b>DIMENSIONS</b>	3"L x 42"W x 42"H
<b>BULB INCLUDED</b>	
<b>LAMP</b>	1 x LED/131.88W/120V LED

*Technical Information*

<b>LUMINOUS FLUX</b>	13188 lumens
<b>LUMENS/WATT</b>	100.00
<b>LAMP COLOR</b>	3000K
<b>COLOR RENDERING</b>	90 CRI

**SPEC #** EMR101098



COMPANY	PROJECT	FIXTURE TYPE	APPROVED BY	DATE