

BRAND

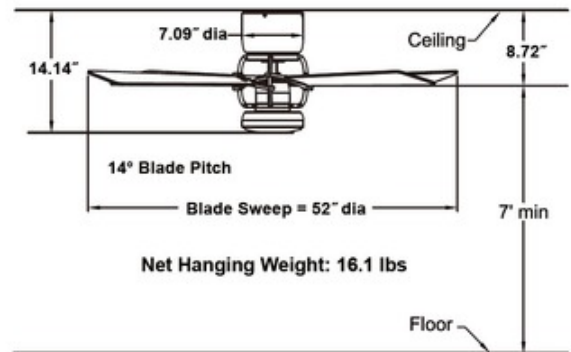
Fanimation

DESCRIPTION

Camview ceiling fan is available in black finish with black blades and opal frosted diffuser. Features 52 inch blade sweep, 13 degree blade pitch, 3 forward and 3 reverse speeds. Fan must be attached to a securely anchored electrical junction box capable of withstanding a load of at least 50 lbs. One 100 watt maximum, 120 volt, JD type Minican base halogen bulb and TR24WH hand held control included. Dry location rated. 52 inch width by 14.14 inch height.



SHADE COLOR	Black
BODY FINISH	Black
WATTAGE	100W
DIMMER	N/A
DIMENSIONS	52"W x 14.14"H
BULB INCLUDED	
LAMP	1 x JD/Minican (E11)/100W/120V Halogen



SPEC # FAN102386

COMPANY	PROJECT	FIXTURE TYPE	APPROVED BY	DATE