



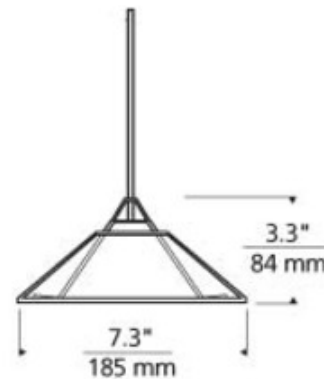
BRAND Visual Comfort Modern

DESCRIPTION

Freejack Halogen Oak Park Pendant features a craftsman-style four-sided glass shade with Black metal frame and White inner shade. Glass available in Amber or Clear. Finish in Antique Bronze, Chrome or Satin Nickel. Includes one 50 watt, 12 volt JC GY6.35 halogen bi-pin lamp, six feet of field-cutable cable suspension (custom lengths available), and a Freejack connector. ETL listed. 7.3 inch width x 7.3 inch depth x 3.3 inch height x 75.3 inch overall length. Canopy required if used as a monopoint, sold separately.



SHADE COLOR	Clear
BODY FINISH	Chrome
WATTAGE	50W
DIMMER	Dimmable
DIMENSIONS	75.3"L x 7.3"W x 3.3"H x 7.3"D
BULB INCLUDED	
LAMP	1 x JC/GY6.35 (bipin)/50W/12V Halogen



SPEC # TLG10646

COMPANY	PROJECT	FIXTURE TYPE	APPROVED BY	DATE