



BRAND Contrast Lighting

DESCRIPTION

3.5 inch LED IC Airtight housing is suitable for insulated ceiling. Below ceiling accessible. Electronic driver included. Universal input voltage driver 120-277 volt. Dimmable with electronic low voltage 120 volt dimmer. 3.6 inch ceiling cut out. For use with LED Power 1 12 watt 2700K, 12 watt 3000K, and 10 watt 4000K. Compatible with trims LEDR345, LEDR347, LEDR314, LEDR315, LEDS345, LEDS314, LEDS315. 13.5 inches long x 10 inches wide x 6 inches high. UL listed.

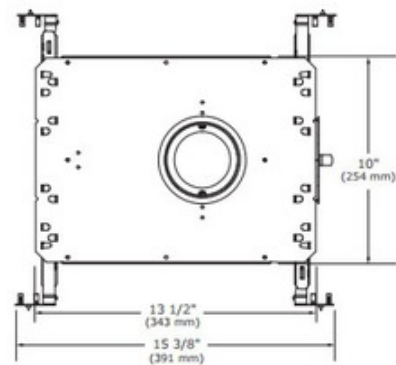
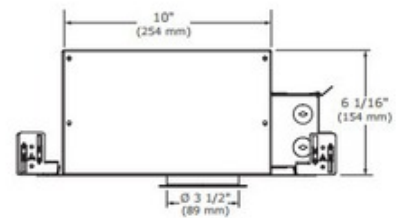


TRIM COLOR	N/A
BODY FINISH	Galvanized Steel
WATTAGE	12W
DIMMER	Dimmable
DIMENSIONS	13.5"L x 10"W x 6"H
BULB NOT INCLUDED	
LAMP	LED/12W/120V LED

Technical Information

LAMP COLOR	2700K
FUNCTION	Downlight
CEILING TYPE	Drywall with Trim
HOUSING TYPE	New construction IC Airtight
APERTURE SHAPE	Round

SPEC # CLT106616



COMPANY	PROJECT	FIXTURE TYPE	APPROVED BY	DATE