



BRAND Contrast Lighting

DESCRIPTION

3.5 inch LED long non-ic new construction housing with 120-277 volt electronic driver, 12 watts, 3000K. Also available in 12 watt 2700K version. Dimmable at 120 volts with compatible electronic low voltage dimmers that use reverse phase trailing edge technology. Cannot be used in contact with insulation and should be at least 3 inches from insulation. Takes up to 1.5 inch ceiling. Below ceiling accessible. For use with trims LEDG314, LEDG325, LEDT312, LEDT325. 3.6 inch cut out. 13.5 inches long x 7.3 inches wide x 5.5 inches high. Suitable for damp location. UL listed.

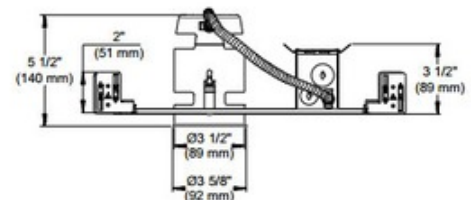
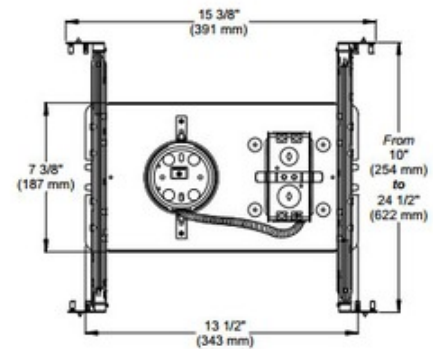


TRIM COLOR	N/A
BODY FINISH	Galvanized Steel
WATTAGE	12W
DIMMER	Dimmable
DIMENSIONS	13.5"L x 7.3"W x 5.5"H
INTEGRATED LED MODULE	
LAMP	1 x LED/12W/120V LED

Technical Information

LAMP COLOR	3000K
FUNCTION	Downlight
CEILING TYPE	Drywall with Trim
HOUSING TYPE	New Construction NON IC
APERTURE SHAPE	Round

SPEC # CLT106638



COMPANY	PROJECT	FIXTURE TYPE	APPROVED BY	DATE