

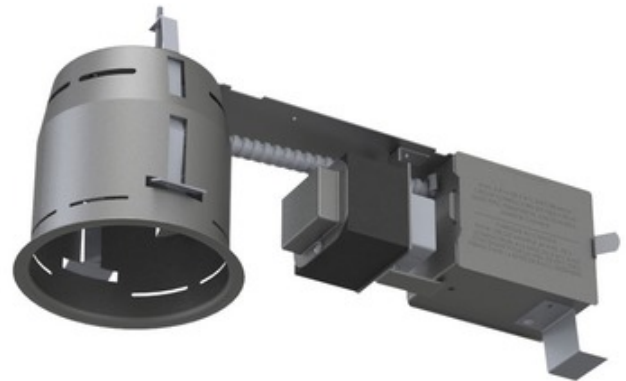


**BRAND**

Contrast Lighting

**DESCRIPTION**

IT3000M 3.5 Inch Low Voltage Non-IC Remodel Housing is designed for non insulated remodel applications. Non-IC designation requires that insulation be kept a minimum of 3 inches away from housing. Below ceiling accessible. Takes up to 7/8 inch ceiling thickness. Low voltage 12 volt magnetic transformer included. One 37-50 watt, 12 volt GU5.3 MR16 bulb is required, but not included. Wattage dependent on housing/trim combination. Dimmable with a low voltage magnetic dimmer. Consult with bulb manufacturer for low voltage magnetic dimmer compatibility when using LED bulb option. Suitable for damp locations. UL listed. 3 5/8 inch ceiling cut out. 13.3 inch length x 4.6 inch width x 6 inch height. A complete fixture includes a housing and trim, sold separately.

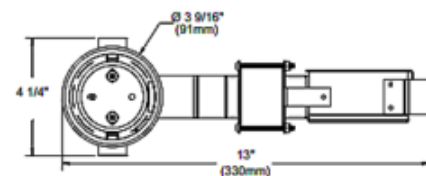
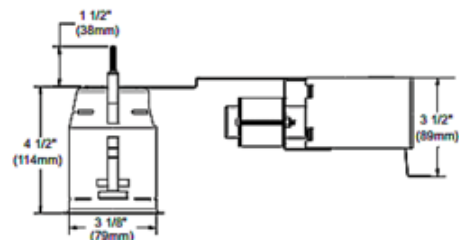


<b>TRIM COLOR</b>	N/A
<b>BODY FINISH</b>	Galvanized Steel
<b>WATTAGE</b>	35W
<b>DIMMER</b>	Low Voltage Magnetic
<b>DIMENSIONS</b>	13"L x 4.25"W x 4.5"H
<b>BULB NOT INCLUDED</b>	
<b>LAMP</b>	1 x MR16/GU5.3 (bipin)/35W/12V Halogen MR16/GU5.3 (bipin)/12V LED

*Technical Information*

<b>CEILING TYPE</b>	Drywall with Trim
<b>HOUSING TYPE</b>	Remodel NON IC
<b>HOUSING HEIGHT</b>	5"
<b>APERTURE SIZE</b>	3.500"

**SPEC #** CLTI06650



COMPANY	PROJECT	FIXTURE TYPE	APPROVED BY	DATE