

R2120 4 Inch Deep Regressed Trim



Description:

R2120 4 Inch Deep Regressed Square Trim features a powder coat painted or plated die-formed steel trim finish in White, Black, 24K Gold, Chrome, Brushed Chrome, Architectural Bronze, Antique Copper, Matte White, Brushed Nickel, Satin Nickel, Antique Nickel or Metallic Grey. Low iridescence semi-specular aluminum reflector. One 50 watt, 12 volt GU5.3 MR16 halogen or LED equivalent bulb is required, but not included. See housing for dimmer information. 4.9 inch square x 3.25 inch height. A complete fixture includes a housing and trim, sold separately.

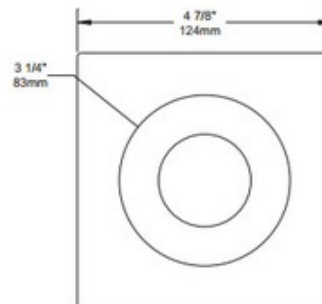
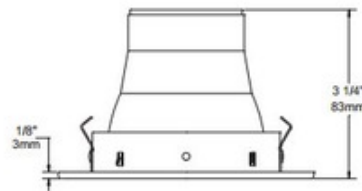
Shown in: Satin Nickel

List Price: \$86.50
Our Price: \$62.28

Shade Color: N/A
Body Finish: Satin Nickel
Lamp: 1 x MR16/GU5.3 (bipin)/50W/12V Halogen
 1 x MR16/GU5.3 (bipin)/12V LED
Wattage: 50W
Dimmer: Dimmable
Dimensions: 3.25"H x 4.9"W

Technical Information

Function: Downlight
Ceiling Type: Drywall with Trim
Aperture Shape: Square
Aperture Size: 4.000"



Product Number: CLT107071			
Company:		Fixture Type:	Date: Feb 18, 2018
Project:		Approved By:	

#0332RT-DEEP-003H1-XXSN

Fax: (773) 883-6131

Phone: 866-954-4489

Address: 1718 W. Fullerton Ave. Chicago IL 60614

www.Lightology.com