

Deadstock Catherine Table Lamp



Description:

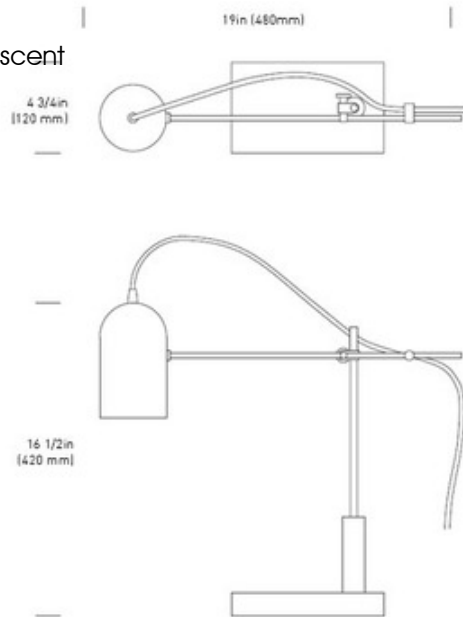
The Deadstock Catherine table lamp is designed around a cylindrical shade salvaged from a defunct lighting factory. The base is made from Carrara marble and the support is made of machined brass. Gunmetal finish shade. One 5 watt 120 volt E12 candelabra base dimmable cold cathode compact fluorescent lamp included. 19 inches long x 4.75 inches wide x 16.5 inches high. 72 inch cord and plug with inline dimmer.

Shown in: Gunmetal

List Price: \$1157.71
 Our Price: \$841.97

- Shade Color: N/A
- Body Finish: Gunmetal
- Lamp: 1 x CF/Candelabra (E12)/5W/120V Compact Fluorescent
- Wattage: 5W
- Dimmer: Dimmable
- Dimensions: 19"L x 16.5"H x 4.75"W

Technical Information
 Luminous Flux: 200 lumens
 Lumens/Watt: 40.00



Product Number: CSD107248			
Company:		Fixture Type:	Date: Feb 22, 2018
Project:		Approved By:	

#0354TL-DEADSTO-005C1-GMST

Fax: (773) 883-6131

Phone: 866-954-4489

Address: 1718 W. Fullerton Ave. Chicago IL 60614

www.Lightology.com