



**BRAND**

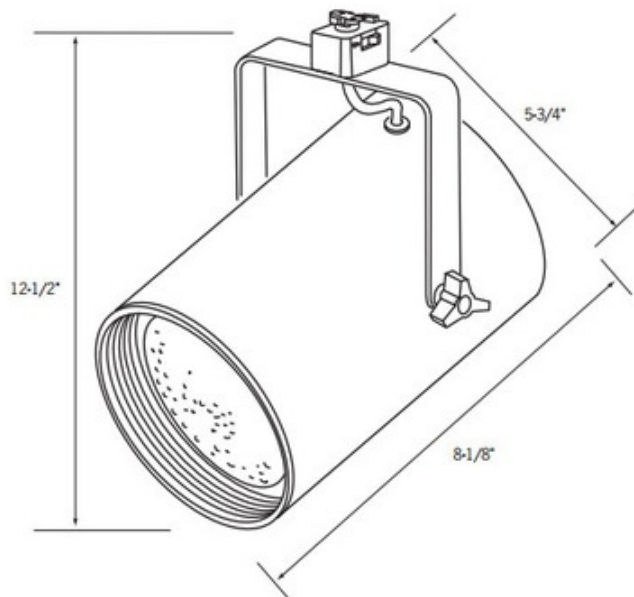
ConTech

**DESCRIPTION**

Line Voltage PAR38 Flat Back Cylinder Track Fixture features a flat back design with a deep set black baffle to conceal lamp and provide glare control. Specular white reflective interior. On-off switch and polarity indicator are standard. Yoke mount with rigid aiming and 350 degree rotation. For use on Con-Tech systems only. One 120 volt, 250 watt PAR38 or 120 watt BR40 medium base halogen lamp or LED equivalent is required, but not included. 5.75 inch width x 8.1 inch depth x 12.5 inch height. Suitable for dry locations. UL listed.



<b>SHADE COLOR</b>	N/A
<b>BODY FINISH</b>	Black
<b>WATTAGE</b>	250W
<b>DIMMER</b>	Dimmable
<b>DIMENSIONS</b>	5.75"W x 12.5"H x 8.1"D
<b>BULB NOT INCLUDED</b>	
<b>LAMP</b>	1 x PAR38/Medium (E26)/250W/120V Halogen 1 x PAR38/Medium (E26)/120V LED 1 x BR40/Medium (E26)/120V Incandescent 1 x BR40/Medium (E26)/120V LED



**SPEC #** CNT109655

COMPANY	PROJECT	FIXTURE TYPE	APPROVED BY	DATE