

CTL240 Line Voltage PAR38 Round Back Cylinder Track Fixture



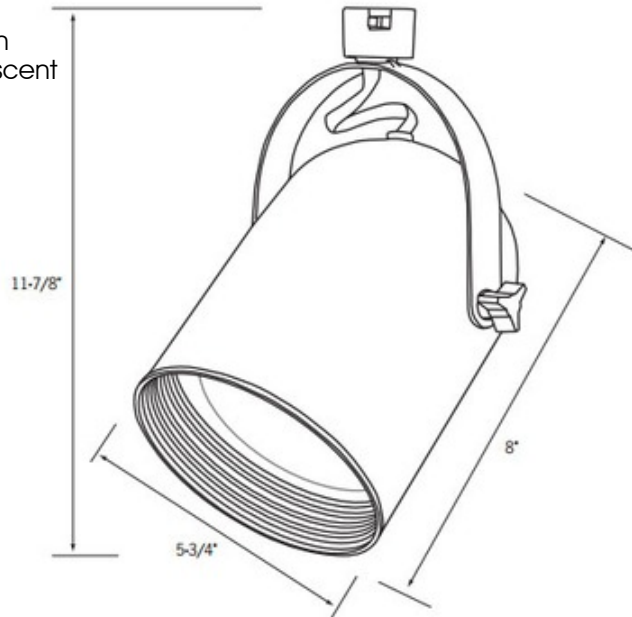
Description:

Line Voltage PAR38 Round Back Cylinder Track Fixture features a round back design with deep black phenolic baffle to conceal lamp and provide glare control. Integral on-off switch and track polarity indicator are standard. Finish available in Black or White. For use with Con-Tech systems only. One 120 volt, 250 watt PAR38 or 120 watt BR40 medium base halogen lamp or LED equivalent is required, but not included. 5.75 inch width x 8 inch depth x 11.9 inch height. Suitable for dry locations. UL listed.

Shown in: Black

List Price: \$87.50
Our Price: \$52.50

Shade Color: N/A
Body Finish: Black
Lamp: 1 x PAR38/Medium (E26)/250W/120V Halogen
 1 x BR40/Medium (E26)/120W/120V Incandescent
 1 x PAR38/Medium (E26)/120V LED
 1 x BR40/Medium (E26)/120V LED
Wattage: 250W
Dimmer: Dimmable
Dimensions: 11.9"H x 5.75"W x 8"D



Product Number: CNT 109667			
Company:		Fixture Type:	Date: Feb 19, 2018
Project:		Approved By:	

#0313TF-PAR38RO-006H1-XXBK

Phone: 866-954-4489 Fax: (773) 883-6131

Address: 1718 W. Fullerton Ave. Chicago IL 60614

www.Lightology.com