



BRAND

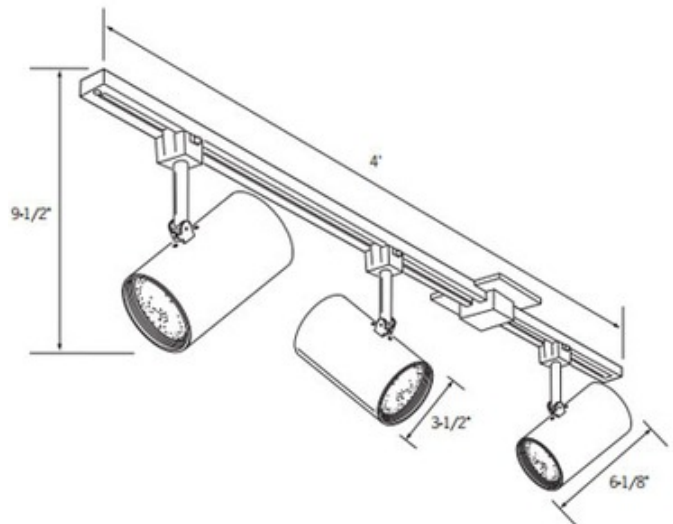
ConTech

DESCRIPTION

PAR20 Builders Track Kit includes three CTL120-P Flat back cylinder White finish fixtures, one LT-4-P White 4 foot track section and one LA-7-P White floating feed kit. Provides 350 degree rotation with full vertical adjustment. Black phenolic baffle assures full cutoff. May be used with LA-2 conductive mini connector or LA-12 L connector and additional track sections. Three 50 watt 120 volt PAR20 or three 75 watt 120 volt R20 medium base lamps are required, but included. Also available in a PAR30 short neck and PAR30 long neck kit. Suitable for dry location. UL listed.



SHADE COLOR	N/A
BODY FINISH	White
WATTAGE	150W
DIMMER	Dimmable
DIMENSIONS	48"W x 9.5"H x 6.1"D
BULB NOT INCLUDED	
LAMP	3 x PAR20/Medium (E26)/50W/120V Halogen 3 x R20/Medium (E26)/75W/120V Incandescent



SPEC # CNT109754

COMPANY	PROJECT	FIXTURE TYPE	APPROVED BY	DATE