



**BRAND**

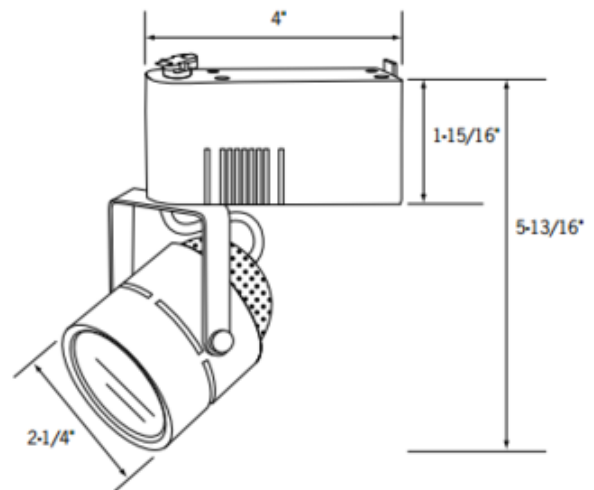
ConTech

**DESCRIPTION**

CTL116T Eclipse Perforated Back Cylinder Track Fixture features a high tech look with sparkle. Aluminum housing with finish in Black or White. 358 degree aiming. Includes a solid state electronic transformer encased in a polycarbonate housing and a clear, tempered safety glass for use with open lens MR16 lamps. MR16 lamp and glass are held in place by a metal spring clip that snaps into a regressed internal slot. One 50 watt, 12 volt GU5.3 MR16 lamp is required, but not included. cETLus listed. Suitable for dry locations. 2.25 inch diameter x 5.8 inch length. For use with ConTech 1-circuit 120 volt line voltage track system.



<b>SHADE COLOR</b>	N/A
<b>BODY FINISH</b>	White
<b>WATTAGE</b>	7W
<b>DIMMER</b>	Low Voltage Electronic
<b>DIMENSIONS</b>	5.8"L x 2.25"W
<b>BULB NOT INCLUDED</b>	
<b>LAMP</b>	1 x MR16/GU5.3 (bipin)/7W/12V LED



**SPEC #** CNT109758

COMPANY	PROJECT	FIXTURE TYPE	APPROVED BY	DATE