

CTL216T Eclipse Round Back Cylinder Track Fixture 12V



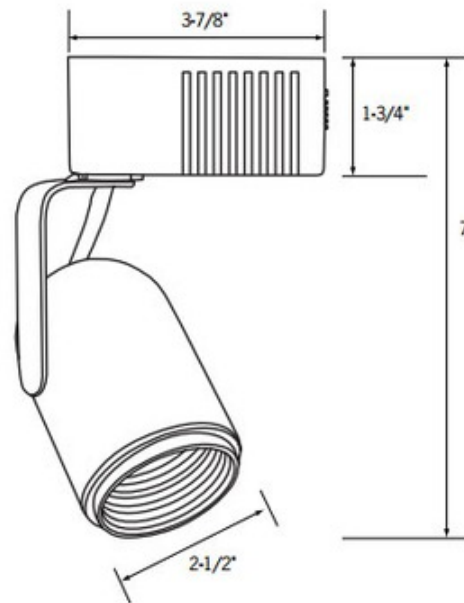
**Description:**

CTL216T Eclipse Round Back Cylinder Track Fixture features an aluminum housing with black phenolic baffle to conceal lamp and provide glare control. 350 degree aiming. Finish available in Black, White or Silver. Includes a solid state electronic transformer encased in a polycarbonate housing and a clear, tempered safety glass for use with open lens MR16 lamps. One 50 watt, 12 volt GU5.3 MR16 lamp is required, but not included. Will accept one LF16 lens, sold separately. cCSAus Certified. Suitable for dry locations. 2.5 inch diameter x 7 inch height. For use with ConTech 1-circuit 120 volt line voltage track system.

Shown in: White

List Price: \$75.00  
 Our Price: \$45.00

Shade Color: N/A  
 Body Finish: White  
 Lamp: 1 x MR16/GU5.3 (bipin)/50W/12V Halogen  
 1 x MR16/GU5.3 (bipin)/12V LED  
 Wattage: 50W  
 Dimmer: Dimmable  
 Dimensions: 7"L x 2.6"W



|                                  |  |               |                    |
|----------------------------------|--|---------------|--------------------|
| Product Number: <b>CNT109761</b> |  |               |                    |
| Company:                         |  | Fixture Type: | Date: Feb 19, 2018 |
| Project:                         |  | Approved By:  |                    |

#0313CI-ECLIPSE-003L1-XXWH

Fax: (773) 883-6131

Phone: 866-954-4489

Address: 1718 W. Fullerton Ave. Chicago IL 60614

www.Lightology.com