

DESIGNER

Nigel Coates

BRAND

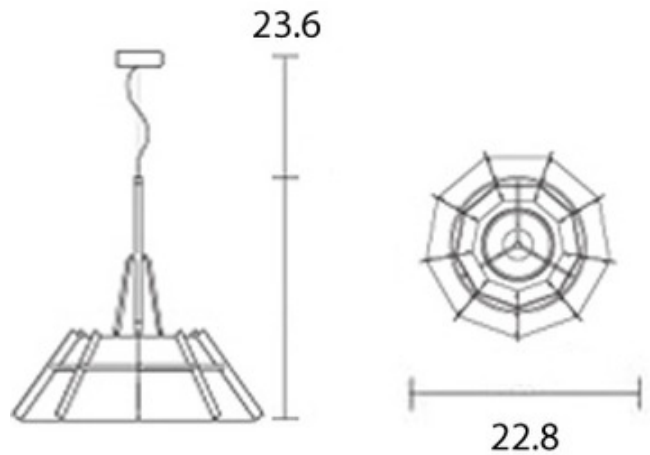
Slamp

DESCRIPTION

Chapeau Pendant features a contemporary design full of captivating and dynamic character. Made of polycarbonate. Its stainless steel mirrored inner surface contrasts with the black outer coating to create a particularly elegant pooling of light directed downward.



SHADE COLOR	Stainless Steel
BODY FINISH	Black
WATTAGE	10W
DIMMER	N/A
DIMENSIONS	22.8"W x 23.6"H x 3.5"D
BULB NOT INCLUDED	
LAMP	1 x Edison/Medium (E26)/10W/120V LED



SPEC #

SLP115626

COMPANY

PROJECT

FIXTURE TYPE

APPROVED BY

DATE