



BRAND

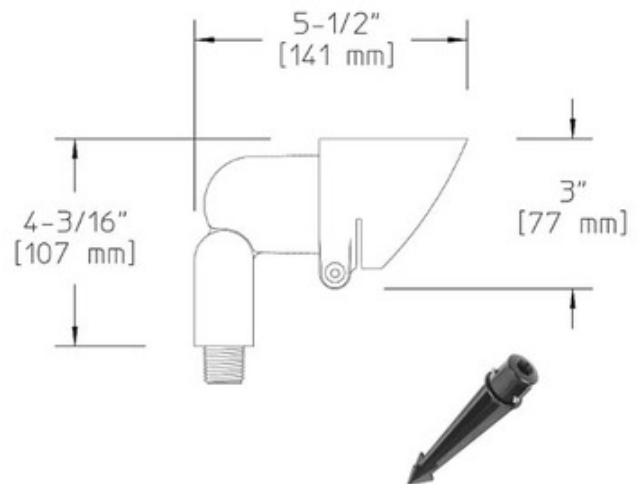
Hadco by Signify

DESCRIPTION

BL616 Halogen Bullyte with Mounting Stake is fabricated from die cast marine grade aluminum alloy with thermoset polyester powdercoat finish in Black or Bronze. Gasketed rotatable shroud and fully adjustable swivel arm with vibration proof locking teeth. Clear tempered glass lens. 1.4 inch diameter x 9.5 inch length S7 PVC stake with integral .5 inch NPS fitter. Optional junction box accessories available, sold separately. One 12 volt, 50 watt maximum GU5.3 MR16 bipin halogen lamp is required, but not included. Pre-wired with 3 foot pigtail of 18-2 AWG wire. Includes low voltage quick connector LVC3 for easy hook up to the low voltage supply cable, sold separately. 3 inch diameter x 5.5 inch depth x 4.2 inch height. ETL listed for wet locations. Required low voltage remote transformer and optional mounting accessories sold separately.



SHADE COLOR	N/A
BODY FINISH	Black
WATTAGE	50W
DIMMER	Dimmable
DIMENSIONS	3"W x 4.2"H x 5.5"D
BULB NOT INCLUDED	
LAMP	1 x MR16/GU5.3 (bipin)/50W/12V Halogen 1 x MR16/GU5.3 (bipin)/12V LED



SPEC # HAD119307

COMPANY	PROJECT	FIXTURE TYPE	APPROVED BY	DATE