



BRAND

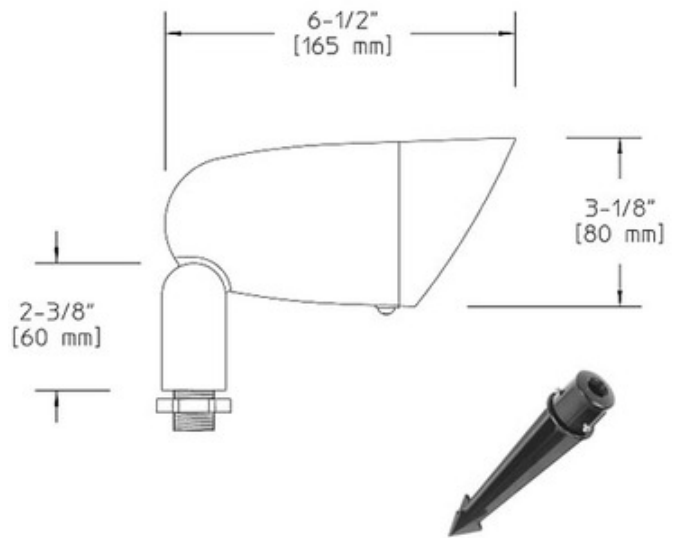
Hadco by Signify

DESCRIPTION

BL16 Brass Bullyte with Mounting Stake is fabricated from die cast brass with fully rotatable gasketed shroud and fully adjustable swivel arm with vibration proof locking teeth. Available in Natural Brass or Oiled Brass. Oiled Brass finish is chemically treated and appearance will vary between production runs. Finish will continue to patina over time. Natural Brass finish is cast and tumble polished. Clear tempered glass affixed at 10 degree angle for natural cleaning. Includes 1.4 inch diameter x 9.5 inch length S7 PVC stake with integral .5 inch NPS fitter. One 12 volt, 50 watt maximum GU5.3 MR16 halogen lamp is required, but not included. Pre-wired with 3 foot pigtail of 18-2 AWG wire. Includes low voltage quick connector LVC3 for easy hook up to the low voltage supply cable, sold separately. 3.1 inch diameter x 6.5 inch length. ETL listed for wet locations. Required low voltage transformer and optional mounting accessories sold separately.



SHADE COLOR	N/A
BODY FINISH	Brass
WATTAGE	50W
DIMMER	Dimmable
DIMENSIONS	6.5"L x 3.1"W
BULB NOT INCLUDED	
LAMP	1 x MR16/GU5.3 (bipin)/50W/12V Halogen 1 x MR16/GU5.3 (bipin)/12V LED



SPEC # HAD119334

COMPANY	PROJECT	FIXTURE TYPE	APPROVED BY	DATE