

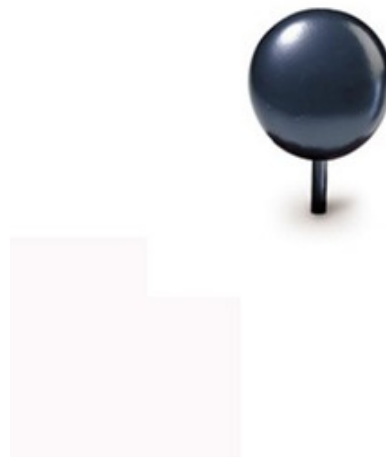


BRAND

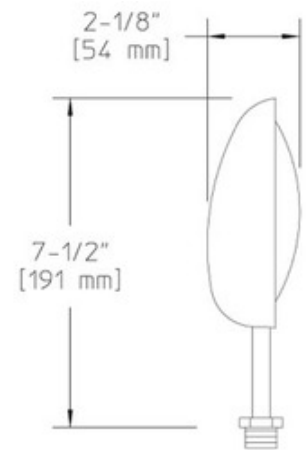
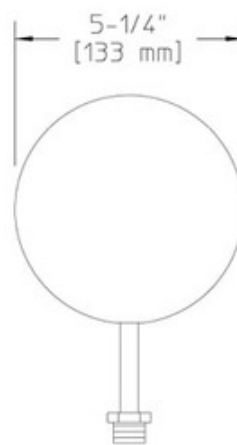
Hadco by Signify

DESCRIPTION

AAL1D 3.8 Watt LED Wall Washer with Mounting Stake is fabricated from die cast aluminum with stem in extruded aluminum. Thermoset polyester powdercoat finish in Black or Verde. Lens is a clear polycarbonate shield. PVC stake 1.4 inch diameter x 9.5 inches long with integral .5 inch NPS fitter. Optional junction box accessories available, but not required for low voltage fixtures. 3.8 watt LED included in 3000K Warm White or 4000K Cool White color temperature. 50,000 hour lamp life. Also available in a 2.4 watt LED version. Pre-wired with 3 foot pigtail of 18-2 AWC wire. Includes low voltage quick connector LVC3 for easy hook up to the low voltage supply cable not included. 5.25 inches wide x 7.5 inches high x 2.1 inches deep. ETL listed for wet locations. Requires remote transformer not included.



SHADE COLOR	N/A
BODY FINISH	Black
WATTAGE	3.8W
DIMMER	Dimmable
DIMENSIONS	5.25"W x 7.5"H x 2.12"D
INTEGRATED LED MODULE	
LAMP	1 x LED/3.8W/12V LED
<i>Technical Information</i>	
LAMP COLOR	4000K
SPEC #	HAD119402



COMPANY	PROJECT	FIXTURE TYPE	APPROVED BY	DATE