



BRAND

Hadco by Signify

DESCRIPTION

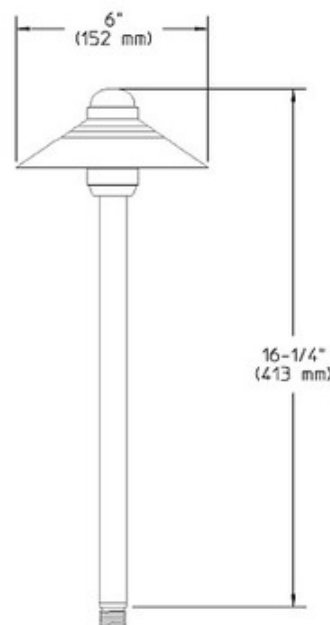
CUL6 Copper Pathlyte with Mounting Stake is fabricated from spun solid copper roof with copper stem. Machined copper threaded adapter for tool-less relamping. Natural Copper finish is bright polished, untreated copper which will age naturally to a fine dark copper patina. Frosted tempered glass lens. Reflective white powdercoat on underside of roof. PVC stake 1.4 inch diameter x 9.5 inches long with integral .5 inch NPS fitter. Optional junction box accessories available, but not required with low voltage fixtures. One 20 watt T3 bipin halogen lamp included. Pre-wired with 3 foot pigtail of 18-2 AWG wire. Includes low voltage quick connector LVC3 for easy hook up to the low voltage supply cable not included. 16.25 inches high x 6 inch diameter. ETL listed for wet locations. Requires low voltage transformer not included.



Shown in: Copper / Frosted

SHADE COLOR	Frosted
BODY FINISH	Copper
WATTAGE	20W
DIMMER	Dimmable
DIMENSIONS	6"W x 16.25"H
BULB INCLUDED	
LAMP	1 x T3/Bipin/20W/12V Halogen

SPEC # HAD119503



COMPANY	PROJECT	FIXTURE TYPE	APPROVED BY	DATE