

CUL9 Copper Pathlyte with Mounting Stake



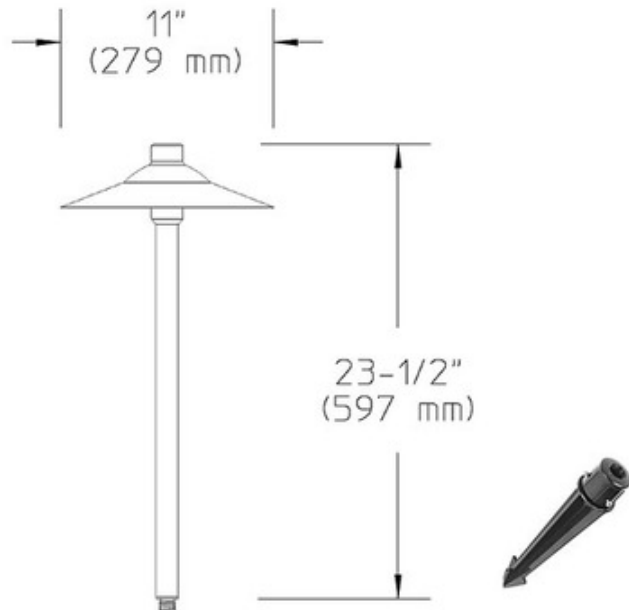
Description:

CUL9 Copper Pathlyte with Mounting Stake is fabricated from spun solid copper roof with copper stem. Machined copper threaded adapter for tool-less relamping. Natural Copper finish is bright polished, untreated copper which will age naturally to a fine dark copper patina. Frosted tempered glass lens. Reflective white powdercoat on underside of roof. PVC stake 1.4 inch diameter x 9.5 inches long with integral .5 inch NPS fitter. Optional junction box accessories available, but not required with low voltage fixtures. One 20 watt T3 bipin halogen lamp included. Pre-wired with 3 foot pigtail of 18-2 AWG wire. Includes low voltage quick connector LVC3 for easy hook up to the low voltage supply cable not included. 23.5 inches high x 11 inch diameter. ETL listed for wet locations. Requires low voltage transformer not included.

Shown in: Copper / Frosted

List Price: \$231.43
Our Price: \$138.86

Shade Color: Frosted
Body Finish: Copper
Lamp: 1 x T3/Bipin/20W/12V Halogen
Wattage: 20W
Dimmer: Dimmable
Dimensions: 23.5"H x 11"W



Product Number: HAD119515			
Company:		Fixture Type:	Date: Feb 25, 2018
Project:		Approved By:	

#0810PL-COMCULS-011H1-FRCP

Fax: (773) 883-6131

Phone: 866-954-4489

Address: 1718 W. Fullerton Ave. Chicago IL 60614

www.Lightology.com