



BRAND

Hadco by Signify

DESCRIPTION

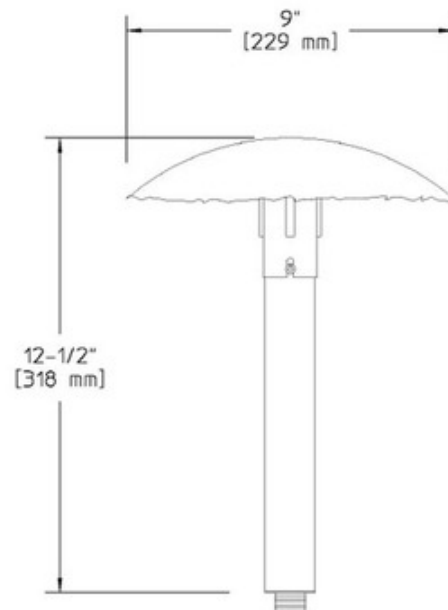
GAML1 Copper Mushroom Pathlyte with Mounting Stake is fabricated from hand-formed solid copper with mushroom cap top. Finish in Antique Copper with a hand applied dark copper patina. Frosted tempered glass sprinkler shield includes top and bottom silicone gaskets for tight seal. Includes two piece PVC mounting stake with integral .5 inch NPS fitter. Optional junction box accessories available, but not required with low voltage fixtures. One 10 watt T3 halogen lamp included. Pre-wired with 3 foot 18-2 AWG wire and includes low voltage quick connector LVC3 for easy hook up to the low voltage supply cable not included. 9 inch diameter x 12.5 inches high. ETL listed for wet locations. Requires remote transformer not included.



SHADE COLOR	Frosted
BODY FINISH	Antique Copper
WATTAGE	10W
DIMMER	Dimmable
DIMENSIONS	9"W x 12.5"H
BULB INCLUDED	
LAMP	1 x T3/Bipin/10W/12V Halogen

SPEC #

HAD119527



COMPANY

PROJECT

FIXTURE TYPE

APPROVED BY

DATE
