



**BRAND**

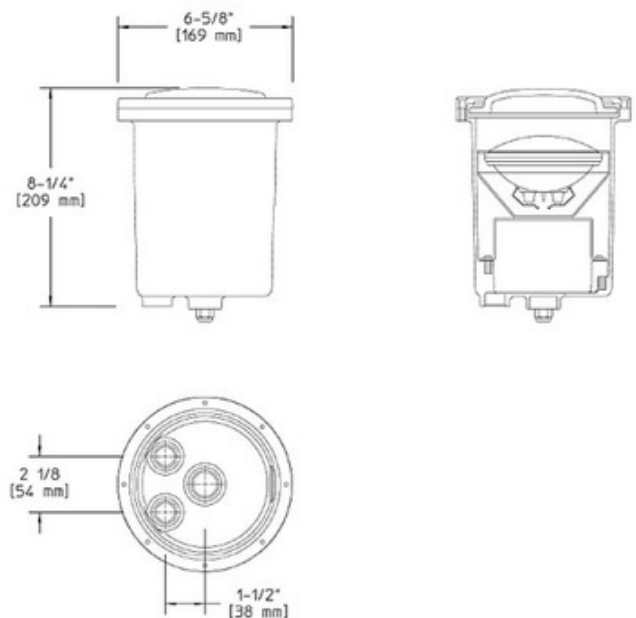
Hadco by Signify

**DESCRIPTION**

IL136 Inground Uplight housing is fabricated from a single piece of compression molded fiberglass reinforced polyester composite pressure tested to ensure water will not wick or leak through. Bronze finish trim ring is a textured composite material. Natural Brass and matte finish Stainless Steel trim rings are a metal finish. Lamps have 15 degree articulation either side of vertical and 358 degree rotation without interruption of beam pattern.   
 • Clear convex, tempered soda-lime glass for high impact resistance 2200 pound live-load rated, standard walk-over lens. Requires one 75 watt PAR36/AR111 screw terminal lamp not included.   
 • Pre-wired with 3 foot pigtail of 18-2 AWG wire.   
 • Includes low voltage quick connector LVC3 for easy hook up to the low voltage supply cable not included. 6.6 inch diameter x 8.25 inches high. ETL listed for wet locations. Requires remote transformer not included.



<b>SHADE COLOR</b>	Clear
<b>BODY FINISH</b>	Stainless Steel
<b>WATTAGE</b>	75W
<b>DIMMER</b>	Dimmable
<b>DIMENSIONS</b>	6.6"W x 8.25"H
<b>BULB NOT INCLUDED</b>	
<b>LAMP</b>	1 x PAR36/SCRTEM/75W/12V Halogen



**SPEC #** HAD119565

COMPANY	PROJECT	FIXTURE TYPE	APPROVED BY	DATE