



BRAND

Hadco by Signify

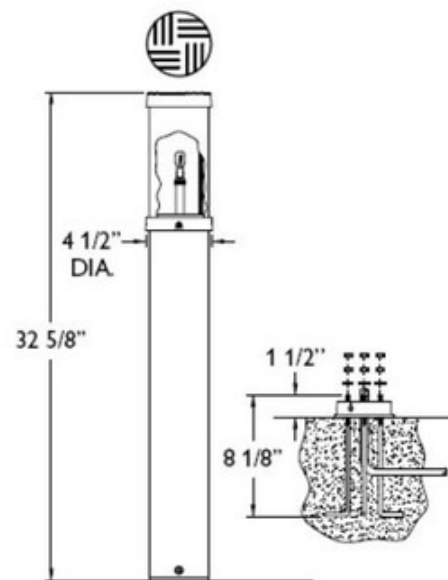
DESCRIPTION

HBL1 Round Aluminum Anchor Base Bollard features all cast aluminum construction with finish in Black or Bronze thermoset powdercoat. Â Opal polycarbonate cylinder optical assembly. Â Low voltage quick connector LVC3 included for easy hook up to the low voltage supply cable not included. Â One 18 watt wedge base T5 Xenon lamp included. Â Lower casting is secured to anchor foundation by three galvanized steel bolts and nuts. Â Also available in a direct burial version. 32.6 inches high x 4.5 inch diameter. Â ETL listed for wet locations. Requires remote transformer not included. Â



SHADE COLOR	Opal
BODY FINISH	Bronze
WATTAGE	18W
DIMMER	Dimmable
DIMENSIONS	4.5"W x 32.6"H
BULB INCLUDED	
LAMP	1 x T5/WEDGE/18W/12V Krypton Xenon

SPEC # HAD120395



COMPANY	PROJECT	FIXTURE TYPE	APPROVED BY	DATE