



**BRAND**

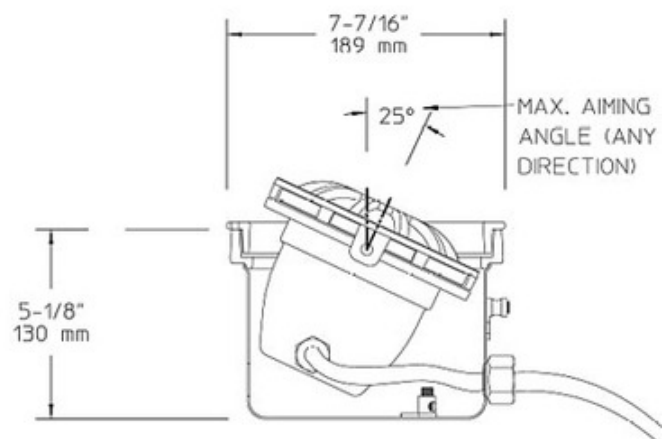
Hadco by Signify

**DESCRIPTION**

UW2250 Directional Underwater Light with Rock Guard is fabricated from spun stainless steel with cast nickel bronze trim in Natural Brass finish as-cast and tumble polished. Integral bonding lugs and hub for connecting .5 or .75 inch conduit. Clear convex lens. High temperature glass furnished with silicone O ring for watertight seal. 25 degree maximum aiming angle any direction. One 250 watt T4 E11 halogen lamp included with fixture. Pre-wired with 10 foot 16-3 AWG water resistant cord. 7.4 inch diameter x 5.1 inch height. ETL listed for wet locations. Optional mounting accessories sold separately.



<b>SHADE COLOR</b>	N/A
<b>BODY FINISH</b>	Natural Brass
<b>WATTAGE</b>	250W
<b>DIMMER</b>	Dimmable
<b>DIMENSIONS</b>	7.4"W x 5.1"H
<b>BULB INCLUDED</b>	
<b>LAMP</b>	1 x T4/Minican (E11)/250W/120V Halogen



**SPEC #** HAD120400

COMPANY	PROJECT	FIXTURE TYPE	APPROVED BY	DATE