



**BRAND**

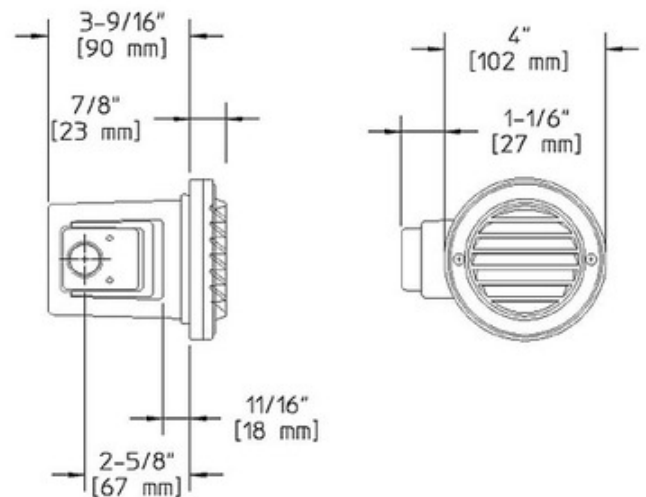
Hadco by Signify

**DESCRIPTION**

RRCL14 Round Louver Steplyte features a thermoset polyester powdercoat finish available in Black, White or Bronze. High performance aluminum reflector for optimum symmetrical light output. Horizontal Louver lens made of die-cast aluminum with a 45 degree cut-off and frosted tempered glass. Die-cast aluminum back box housing. Fixture is pre-wired with 6 foot pigtail of 18-2 AWG wire. Includes low voltage quick connector LVC3 for easy hook-up to the low voltage supply cable not included. Thermal protection device, not included, is required for installations in drywall, plaster, wood or other non-masonry materials. Includes one 10 watt T3 bipin halogen lamp. Lower wattage lamps are acceptable. 4 inch diameter x 3.6 inch deep housing. ETL listed for wet locations. Requires remote transformer not included.



<b>SHADE COLOR</b>	Frosted
<b>BODY FINISH</b>	Bronze
<b>WATTAGE</b>	10W
<b>DIMMER</b>	Dimmable
<b>DIMENSIONS</b>	4"W x 4"H x 3.6"D
<b>BULB INCLUDED</b>	
<b>LAMP</b>	1 x T3/Bipin/10W/12V Halogen



**SPEC #** HAD120424

COMPANY	PROJECT	FIXTURE TYPE	APPROVED BY	DATE