



BRAND

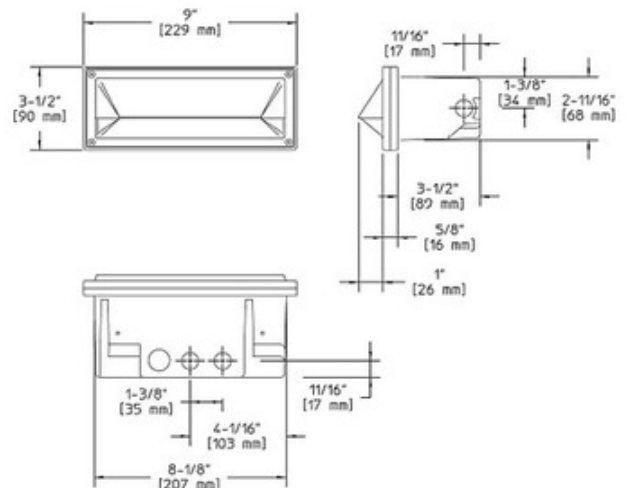
Hadco by Signify

DESCRIPTION

RSBL2 Hooded Bricklyte features a thermoset polyester powdercoat finish available in Bronze. UV stabilized, injection molded polycarbonate bubble faceplate, reinforced with frosted tempered glass and stainless steel screws. Die-cast aluminum back box housing. Fixture is pre-wired with 6 foot pigtail of 18-2 AWG wire. Includes low voltage quick connector LVC3 for easy hook-up to the low voltage supply cable not included. Thermal protection device, not included, is required for installations in drywall, plaster, wood or other non-masonry materials. One 20 watt T3 bipin halogen lamp not included. Faceplate dimensions are 3.5 inches high x 9 inches wide. Housing dimensions are 2.7 inches high x 8.1 inches wide x 4.5 inches deep. ETL listed for wet locations. Requires remote transformer not included.



| | |
|--------------------------|------------------------------|
| SHADE COLOR | Frosted |
| BODY FINISH | Bronze |
| WATTAGE | 20W |
| DIMMER | Dimmable |
| DIMENSIONS | 9"W x 3.5"H x 4.5"D |
| BULB NOT INCLUDED | |
| LAMP | 1 x T3/Bipin/20W/12V Halogen |



SPEC # HAD120428

| COMPANY | PROJECT | FIXTURE TYPE | APPROVED BY | DATE |
|---------|---------|--------------|-------------|------|
| | | | | |