



**BRAND**

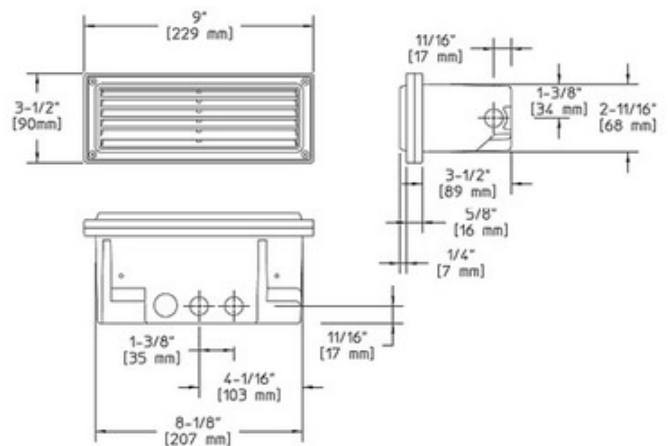
Hadco by Signify

**DESCRIPTION**

RSCL2 Louver Bricklyte features a thermoset polyester powdercoat finish available in Black, White or Bronze. Horizontal louver lens constructed of die-cast aluminum with a 45 degree cut-off and frosted tempered glass. Die-cast aluminum back box housing. Fixture is pre-wired with 6 foot pigtail of 18-2 AWG wire. Includes low voltage quick connector LVC3 for easy hook-up to the low voltage supply cable not included. Thermal protection device, not included, is required for installations in drywall, plaster, wood or other non-masonry materials. Two 18 watt S8 single contact bayonet base halogen lamps included. Faceplate dimensions are 3.5 inches high x 9 inches wide. Housing dimensions are 2.7 inches high x 8.1 inches wide x 4.7 inches deep. ETL listed for wet locations. Requires remote transformer not included.



<b>SHADE COLOR</b>	Frosted
<b>BODY FINISH</b>	Black
<b>WATTAGE</b>	36W
<b>DIMMER</b>	Dimmable
<b>DIMENSIONS</b>	9"W x 3.5"H x 4.7"D
<b>BULB INCLUDED</b>	
<b>LAMP</b>	2 x JD/D.C. Bayonet (BA15D)/18W/120V Halogen



**SPEC #** HAD120431

COMPANY	PROJECT	FIXTURE TYPE	APPROVED BY	DATE