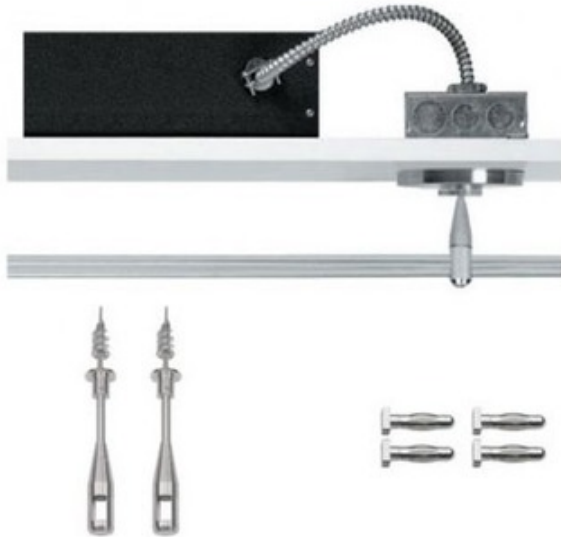


Monorail Remote Transformer Kit 300W



Description:

Monorail 300W Remote Transformer Kit. Rail drops 2 inch from ceiling. This remote transformer installs in an accessible location behind the ceiling or wall. Canopy attaches to standard 4 inch junction box with round plaster ring. Monorail kit includes: 8 foot long hand bendable monorail, 2 sets of decorative end caps, 2 rigid standoff supports and 12 volt, 300 watt magnetic transformer with power feed. Finish available in Satin Nickel, Antique Bronze or Aged Brass. Add up to six 50 watt fixtures, up to eight 35 or 37 Watt fixtures, or up to fifteen 20 Watt fixtures, sold separately.

Shown in: Satin Nickel

List Price: \$731.25
Our Price: \$585.00

Shade Color: N/A
Body Finish: Satin Nickel
Lamp: N/A
Wattage: N/A
Dimmer: Low Voltage Magnetic
Dimensions: 96"L x 2"H

Product Number: TLG 12363			
Company:		Fixture Type:	Date: Feb 18, 2018
Project:		Approved By:	

#2002MO-KITAT3-300H1-00SN

Fax: (773) 883-6131

Phone: 866-954-4489

Address: 1718 W. Fullerton Ave. Chicago IL 60614

www.Lightology.com