



**BRAND** Visual Comfort Architectural

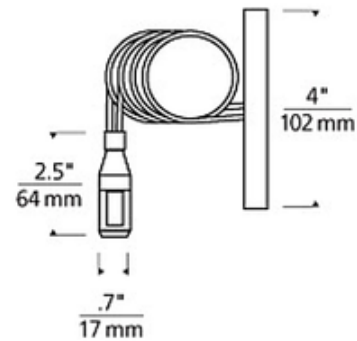
**DESCRIPTION**

The Monorail Center Power Feed Single Feed can be used to power a Tech Lighting Monorail system when the transformer or canopy cannot be located directly above the run. It can be used anywhere within the run and includes a removable 4 inch round canopy and 12 ft of field-cuttable softwire leads.



*Shown in: Satin Nickel*

<b>SHADE COLOR</b>	N/A
<b>BODY FINISH</b>	Satin Nickel
<b>WATTAGE</b>	N/A
<b>DIMMER</b>	N/A
<b>DIMENSIONS</b>	144"L x 4"W x 4"H
<b>LAMP</b>	N/A



**SPEC #** ELE12467

COMPANY	PROJECT	FIXTURE TYPE	APPROVED BY	DATE