



BRAND

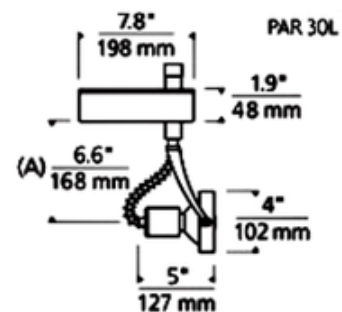
Visual Comfort Modern

DESCRIPTION

Power Jack Sportster Ceramic Metal Halide PAR30L is a versatile die-cast aluminum head which pivots vertically 180 degrees, rotates horizontally 350 degrees. Features vertical and horizontal locking mechanisms. Finish in Satin Nickel or White. Requires 120 volt ceramic metal halide PAR30L medium base lamp up to 39 watts, not included. Not dimmable. May be accessorized with Sportster Louver Lens Holder, sold separately. Requires Power Jack Canopy with CMH ballast, sold separately. ETL listed. Dimensions: 4 inch width x 5 inch depth x 6.6 inch or 11.1 inch length.



SHADE COLOR	N/A
BODY FINISH	Satin Nickel
WATTAGE	39W
DIMMER	Not Dimmable
DIMENSIONS	6.6"L x 4"W x 6.6"H x 5"D
BULB NOT INCLUDED	
LAMP	PAR30L/Medium (E26)/39W/120V High Intensity Discharge



SPEC # TLG12921

COMPANY	PROJECT	FIXTURE TYPE	APPROVED BY	DATE