



BRAND

Visual Comfort Modern

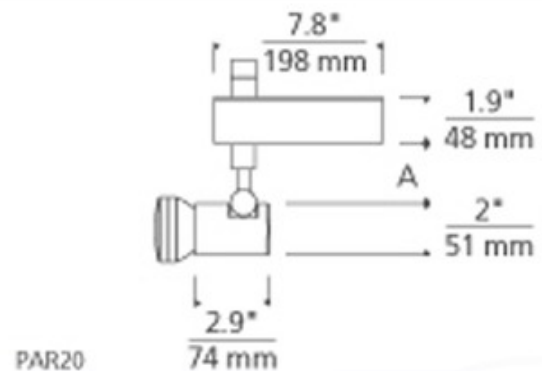
DESCRIPTION

Tweak Power Jack with Ceramic Metal Halide has a minimal head that pivots vertically 180 degrees and horizontally 350 degrees. Available in Satin Nickel or White finish. May be accessorized with PAR Louver Lens Holder. Tweak with ceramic metal halide PAR20 requires one 120V lamp up to 39W. ETL Listed. Stem available in 3 inch lengths. Head is 2 inch width x 2.9 inch length.



SHADE COLOR	N/A
BODY FINISH	Satin Nickel
WATTAGE	39W
DIMMER	Standard 120V
DIMENSIONS	2.9"L x 2"W x 3"H
BULB NOT INCLUDED	
LAMP	1 x PAR20/Medium (E26)/39W/120V High Intensity Discharge

SPEC # TLG12965



COMPANY	PROJECT	FIXTURE TYPE	APPROVED BY	DATE