



BRAND

Visual Comfort Modern

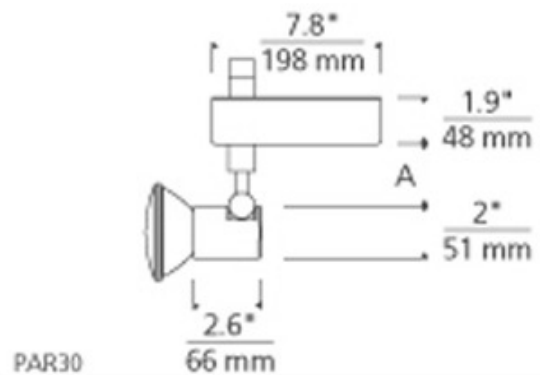
DESCRIPTION

Tweak Power Jack with Ceramic Metal Halide has a minimal head that pivots vertically 180 degrees and horizontally 350 degrees. Also available in incandescent, T-Trak system, various lengths, PAR numbers and in white finish. May be accessorized with PAR Louver Lens Holder. Tweak with ceramic metal halide PAR30 requires one 120V lamp up to 39W. Available with PAR20 up to 39w 20v is required (lamp not included). Incandescent and ceramic metal halide models available. ETL Listed. Stem available in 3, 6, 12 and 18 inch lengths. Head is 2W x 2.6L.



SHADE COLOR	N/A
BODY FINISH	Satin Nickel
WATTAGE	39W
DIMMER	Not Dimmable
DIMENSIONS	2.5"L x 2"W x 2.6"D
BULB NOT INCLUDED	
LAMP	1 x PAR30L/Medium (E26)/39W/120V High Intensity Discharge

SPEC # TLG12981



COMPANY	PROJECT	FIXTURE TYPE	APPROVED BY	DATE