

BRAND

Et2

DESCRIPTION

Fizz IV Island Pendant features an etched bubble glass shade with a polished chrome finish.



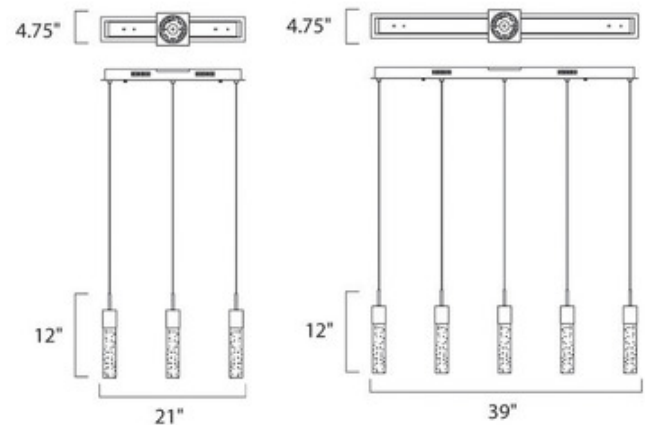
Shown in: Polished Chrome / Clear

SHADE COLOR	Clear
BODY FINISH	Polished Chrome
WATTAGE	22.5W
DIMMER	Low Voltage Electronic
DIMENSIONS	21" L x 12" H
INTEGRATED LED MODULE	
LAMP	3 x LED/7.5W/120V LED

Technical Information

LUMINOUS FLUX	738 lumens
LUMENS/WATT	98.40
LAMP COLOR	3300K
PRODUCT DIMENSIONS	Min/Max Overall Height: 14" – 132"

SPEC # ET2132411



COMPANY	PROJECT	FIXTURE TYPE	APPROVED BY	DATE