



BRAND

Visual Comfort Modern

DESCRIPTION

Organic shaped die-cast aluminum head pivots vertically 180 degrees and rotates horizontally 350 degrees. Features vertical and horizontal locking mechanisms and glass lens ring. 45 degree beam spread option with specular reflector. Satin Nickel or White finish with included Amber, Cobalt, Frost or Solid metal lens ring. Includes energy-savings electronic ballast in slim aluminum die-cast housing. Input voltage 120V 50/60 hertz, THD less than 10 percent. Requires one 120 Volt ceramic metal halide T4.5 lamp with G8.5 base up to 39 watts, not included. Holds up to two PAR30 size lenses or louvers, sold separately. ETL listed. For use on T-Trak line voltage track system. 4.5W x 6.5H x 8L.

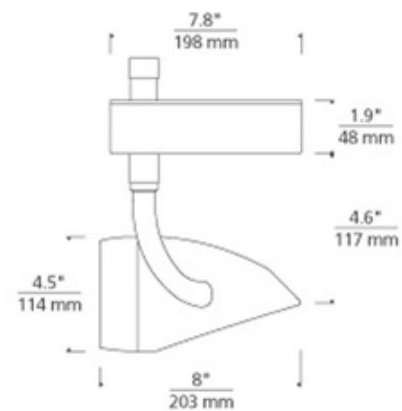


SHADE COLOR	N/A
BODY FINISH	Satin Nickel/ Amber
WATTAGE	39W
DIMMER	Not Dimmable
DIMENSIONS	8"L x 4.5"W x 6.5"H
BULB NOT INCLUDED	
LAMP	T4.5/G8.5/39W/120V High Intensity Discharge

Technical Information

BEAM ANGLE	45°
-------------------	-----

SPEC #	TLG13319
---------------	----------



COMPANY	PROJECT	FIXTURE TYPE	APPROVED BY	DATE