

BRAND

Tango

DESCRIPTION

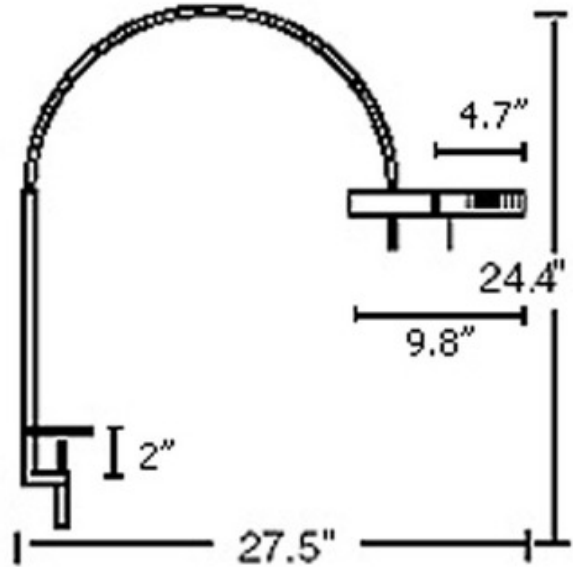
City Clamp On Light features a polished chrome finish frame. One 50-watt, 120 volt JCD G9 base halogen bulb is required, but not included. Dimensions: 9.8W x 24.4H x 27.5L.



SHADE COLOR	N/A
BODY FINISH	Polished Chrome
WATTAGE	50W
DIMMER	Standard 120V
DIMENSIONS	27.5"L x 9.8"W x 24.4"H
BULB NOT INCLUDED	
LAMP	1 x JC/G9/50W/120V Halogen

SPEC #

TNG155464



COMPANY

PROJECT

FIXTURE TYPE

APPROVED BY

DATE