

Aurora Dual Round 3.3 Inch Housing and Trim



Designer: Gregory Kay

Description:

Aurora Dual Round Edge 3.3 inch trim and housing is a specification grade, adjustable accent fixture for plaster or drywall construction. Two 12 volt MR16 37 watt IR maximum lamps or two MR16 LED 12 volt 7 watt, one per socket, not included. The flush mounted rigid plaster plate, which is finished into the ceiling, maintains a flat finish and defines the Truly Trimless Pure edge (knife edge) 3.3 inch aperture. Combined with the Aurora dome and the tilt gear hidden behind the lamp creates a clean internal lock. Features hot aiming with Phillips screwdriver offering 20 to 45 degree vertical adjustment and 362 degree horizontal rotation without beam clipping. Includes standard 120 volt magnetic transformer, IC and air-tight, suitable for remodel or new construction. Secondary output voltage is 11.8 volts. Designed to accommodate ceiling thickness from .50 to 1.25 inches. Dome features anodized soft haze finish and hides electrical hardware, tilting for easy access to junction box and transformer. Includes two snoots and soft focus lenses, with room for two lamps and two additional accessories. ETL listed for damp locations. 14.75 inch length x 12.1 inch width x 5.75 inch height. Aurora Gear Cover and light control accessories sold separately.



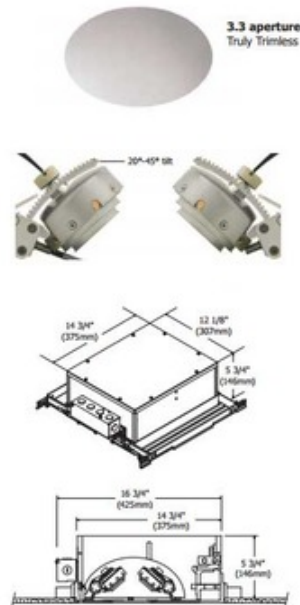
Shown in: Aluminum

List Price: \$760.00
Our Price: \$608.00

Shade Color: N/A
Body Finish: Aluminum
Lamp: 2 x MR16/GU5.3 (bipin)/37W/12V Halogen
 1 x MR16/GU5.3 (bipin)/7W/12V LED
Wattage: 37W
Dimmer: Low Voltage Magnetic
Dimensions: 14.75"L x 5.75"H x 12.1"W

Technical Information

Function: Downlight
Ceiling Type: Drywall Trimless/Flush
Housing Type: New construction IC Airtight
Housing Height: 6"
Aperture Shape: Round
Aperture Size: 3.300"



Product Number: EDG 155750			
Company:		Fixture Type:	Date: Feb 24, 2018
Project:		Approved By:	

Fax: (773) 883-6131

Phone: 866-954-4489

Address: 1718 W. Fullerton Ave. Chicago IL 60614

www.Lightology.com