



**BRAND**

WAC Lighting

**DESCRIPTION**

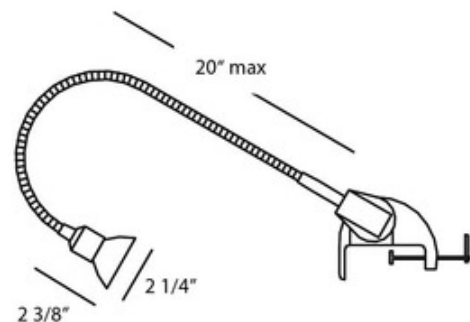
DL-214 Low Voltage Gooseneck Display Light features an aluminum head and connector, periscoping arm is steel, and clamp is heavy duty polycarbonate. Available in White or Black finish. Flexible arm allows for a full range of vertical and horizontal orientation ideal for use on wall partitions, display booths, and portable work areas. Large locking screw assures the aiming angle is kept in place. Accepts 12 volt halogen GU5.3 MR16 lamps up to 50 watts, not included. Includes 2 inch clamp which mounts to flat surfaces with tension clamp, accommodating widths of 2 to 2.5 inches, and 10 foot cord with 60 watt Class II 120 volt to 12 volt electronic plug in transformer. UL listed. Dimensions: 2.25 inch width x 2.4 inch height x 20 inch maximum length. Optional mounting clamps available, sold separately.



<b>SHADE COLOR</b>	N/A
<b>BODY FINISH</b>	Black
<b>WATTAGE</b>	50W
<b>DIMMER</b>	Low Voltage Electronic
<b>DIMENSIONS</b>	20"L x 2.25"W x 2.4"H
<b>BULB NOT INCLUDED</b>	
<b>LAMP</b>	1 x MR16/GU5.3 (bipin)/50W/12V Halogen

**SPEC #**

WAC155775



COMPANY

PROJECT

FIXTURE TYPE

APPROVED BY

DATE

---