

BRAND

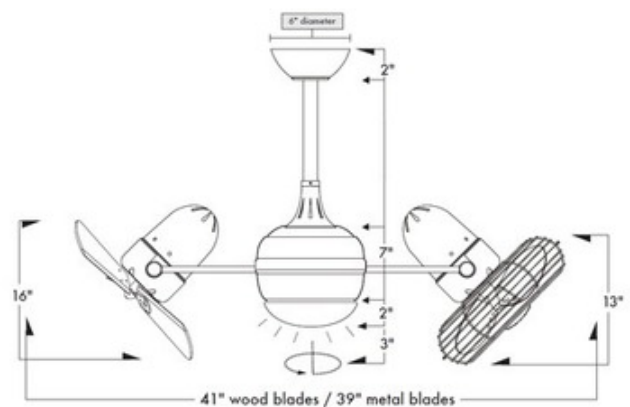
Matthews Fan Company

DESCRIPTION

The double-headed rotational ceiling fan, Dagny LK, with cylindrical central housing and straight, parallel arms, is designed in the retrospective aesthetic. The Dagny offers fluid lines and quiet axial rotation. The motor heads can be infinitely positioned in 180 degree arcs for optimum air movement, the greater the angles of the motors to the horizontal support rods (up or down), the faster the axial rotation. A slow, controlled axial rotation is achieved by both motor head position and fan blade speed. Matthews rotational fans circulate heat and air-conditioning more efficiently than traditional paddle fans. Available in either polished chrome, brushed nickel, or textured bronze finish options with a 20 inch downrod. Two 50 watt, 120 volt B10 type candelabra base incandescent bulbs are required, but not included. 39 inch width.



SHADE COLOR	N/A
BODY FINISH	Polished Chrome
WATTAGE	100W
DIMMER	Standard 120V
DIMENSIONS	21"L x 39"W x 5"H
BULB NOT INCLUDED	
LAMP	2 x B10/Candelabra (E12)/50W/120V Incandescent 2 x B10/Candelabra (E12)/120V LED



SPEC #

MWG158154

COMPANY

PROJECT

FIXTURE TYPE

APPROVED BY

DATE