



DESIGNER

Mariano Fortuny

BRAND

Venetian Designs

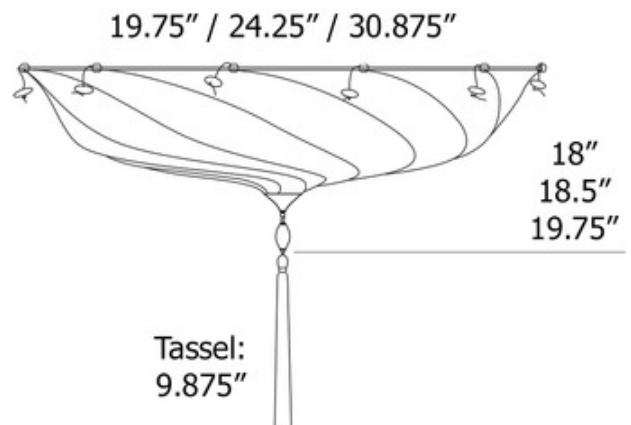
DESCRIPTION

The Scudo Saraceno Silk Ceiling Light is inspired by the Saraceno Shield from Medieval times. The delicate silk is complemented by striking details including Murano beads with a brass structure finish and a dark brown canopy in a stylistic Turkish -Venetian motif. Patterns available in Classic or Serpentine in Gold, Salmon, Sage Grey, Ivory or Light Blue, or Plain in Ivory. Made in Italy.



Shown in: Brass / Ivory Classic Silk

SHADE COLOR	Ivory Classic Silk
BODY FINISH	Brass
WATTAGE	75W
DIMMER	Standard 120V
DIMENSIONS	24.25"W x 18.5"H
BULB NOT INCLUDED	
LAMP	1 x A19/Medium (E26)/75W/120V Incandescent 3 x B10/Candelabra (E12)/120V LED



SPEC #

VEN16608

COMPANY

PROJECT

FIXTURE TYPE

APPROVED BY

DATE