



BRAND

Contrast Lighting

DESCRIPTION

ECOL2C 4 Inch Round Adjustable Regressed 10 Watt LED Trim with White reflector features a Wide Flood with 54 to 65 degree beam angle in Very Warm White 2700K or Warm White 3000K color temperature, 80 CRI, 42 lumens per watt for a total of 420 lumens. Available in a 6 and 10 watt option in 2700K or 3000K color temperature with narrow flood or wide flood beam angle. Provides high quality clean white light without pixilation. Finish available in White, Brushed Chrome, Matte White, Brushed Nickel, or Metallic Grey. Includes Fulham driver power supply, constant current output, 10 watt output wattage, 120 volt, THD less than 10 percent. CHIP Bridgelux LED arrays deliver a lumen maintenance greater than 70 percent after 50,000 hours of operation. Compatible housings include ECOREL200U remodel housing and ECONWL200U and ECOISL200U new construction housings. See housing specification for dimming options. cUL certified for damp locations. Available in marine grade version for high humidity, high salinity, or wet locations upon request. 4.9 inch outside diameter x 3.5 inch height.

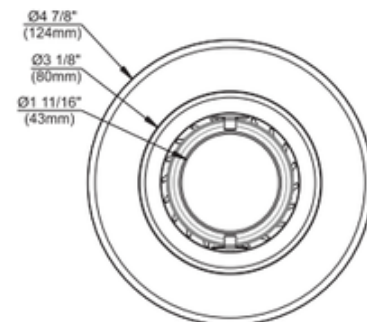
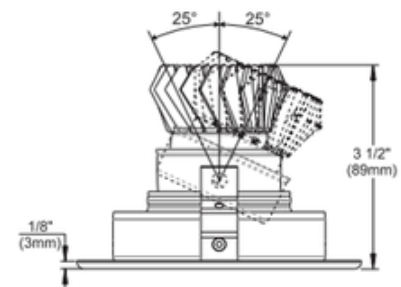


TRIM COLOR	N/A
BODY FINISH	Brushed Chrome
WATTAGE	10W
DIMMER	Dimmable
DIMENSIONS	4.9"W x 3.5"H
INTEGRATED LED MODULE	
LAMP	1 x LED/10W/120V LED

Technical Information

LAMP COLOR	2700K
COLOR RENDERING	80 CRI

SPEC # CLT167727



COMPANY

PROJECT

FIXTURE TYPE

APPROVED BY

DATE
