



**BRAND** Contrast Lighting

**DESCRIPTION**

ECOL3B 3.5 Inch Square Adjustable 6 Watt LED Trim features a Wide Flood with 54 to 61 degree beam angle in Very Warm White 2700K or Warm White 3000K color temperature, 80 CRI, 61 lumens per watt for a total of 368 lumens. Available in a 6 and 10 watt option in 2700K or 3000K color temperature with narrow flood or wide flood beam angle. Provides high quality clean white light without pixilation. Finish available in White, Brushed Chrome, Matte White, Brushed Nickel, or Metallic Grey. Includes Fulham driver power supply, constant current output, 10 watt output wattage, 120 volt, THD less than 10 percent. CHIP Bridgelux LED arrays deliver a lumen maintenance greater than 70 percent after 50,000 hours of operation. Compatible housings include ECOL300U remodel housing and ECONWL300U and ECOISL300U new construction housings. See housing specification for dimming options. cUL certified for damp locations. Available in marine grade version for high humidity, high salinity, or wet locations upon request. 4.25 inch square outside dimension x 2.5 inch height.

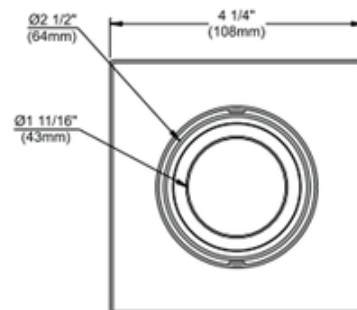
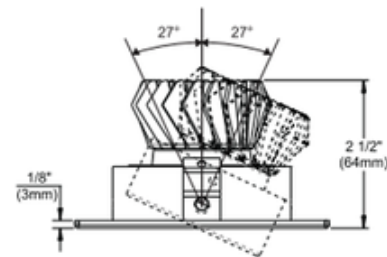


<b>TRIM COLOR</b>	N/A
<b>BODY FINISH</b>	White
<b>WATTAGE</b>	6W
<b>DIMMER</b>	Dimmable
<b>DIMENSIONS</b>	4.25"W x 2.5"H x 4.25"D
<b>INTEGRATED LED MODULE</b>	
<b>LAMP</b>	1 x LED/6W/120V LED

*Technical Information*

<b>LAMP COLOR</b>	2700K
<b>COLOR RENDERING</b>	80 CRI
<b>BEAM SPREAD</b>	Wide flood

**SPEC #** CLT167865



COMPANY	PROJECT	FIXTURE TYPE	APPROVED BY	DATE