



BRAND

Hafele America

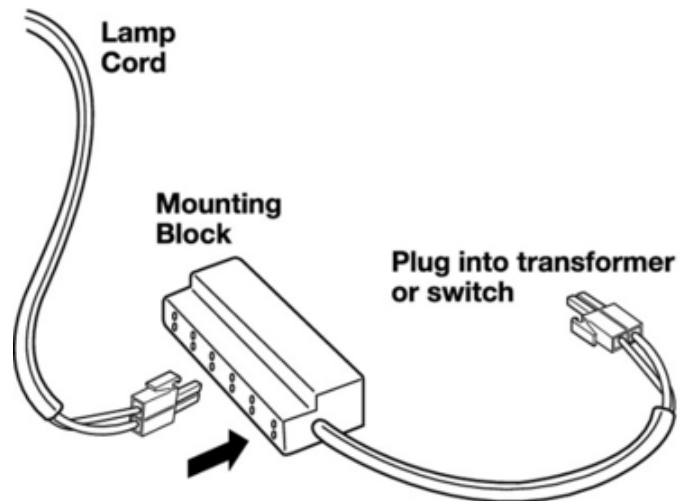
DESCRIPTION

Mounting block is used for connecting up to six lights to a transformer or switch. Maximum load of 60 watts. Includes connecting wire with contact plug for transformer or switch. Finish available in Black. CSA and UL listed.



SHADE COLOR	N/A
BODY FINISH	Black
WATTAGE	N/A
DIMMER	N/A
DIMENSIONS	N/A
LAMP	N/A

SPEC # HAF17192



COMPANY	PROJECT	FIXTURE TYPE	APPROVED BY	DATE