

BRAND

Bruck

DESCRIPTION

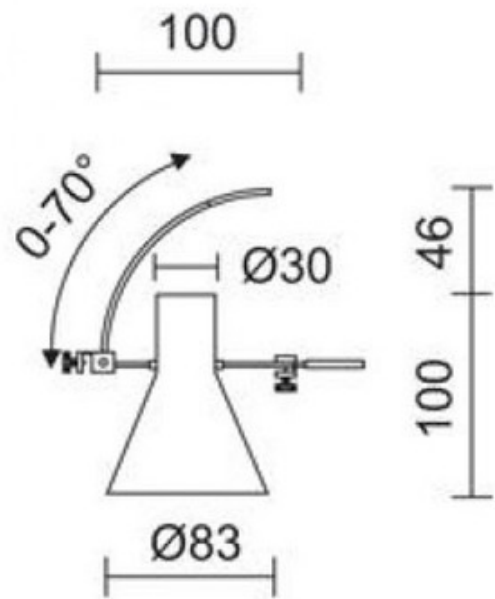
The High-Line Spot Light with integrated Adapter has a Matte Chrome finish and White Glass. The High-line Loft Spot is designed with an integrated adapter for use with the High-line systems only. One 50 watt, 12 volt MR16/GU5.3 halogen lamp is required, but not included. 3.875 inch width x 5.125 inch height.



SHADE COLOR	White
BODY FINISH	Matte Chrome
WATTAGE	50W
DIMMER	Dimmable
DIMENSIONS	3.875"W x 5.125"H
BULB NOT INCLUDED	
LAMP	1 x MR16/G6.35/50W/12V Halogen

SPEC #

BRC176294



COMPANY

PROJECT

FIXTURE TYPE

APPROVED BY

DATE