



DESIGNER Mariano Fortuny
BRAND Venetian Designs

DESCRIPTION

The Concubina Loto Pendant brings memories of the Orient to your space. Features Plain Ivory or hand painted Ivory Classic silk panels surrounded by wood and accented with Brass and fiery red thread details. Made in Italy. Note: Overall height is not adjustable and must be specified to order. Minimum / Maximum height: 39 / 52.75 in.



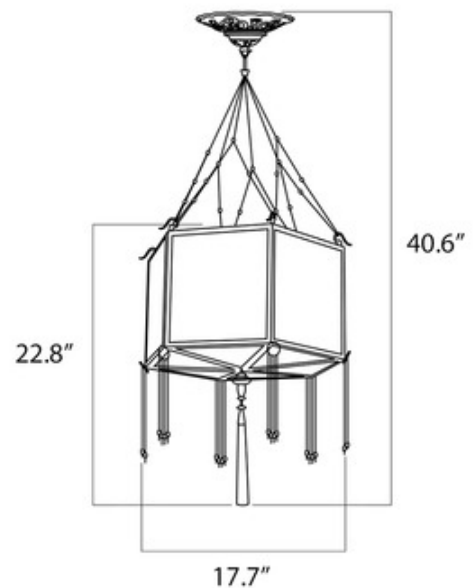
Shown in: Brass / Ivory Classic Silk

SHADE COLOR	Ivory Classic Silk
BODY FINISH	Brass
WATTAGE	75W
DIMMER	Standard 120V
DIMENSIONS	17.75"W x 40.5"H
BULB NOT INCLUDED	
LAMP	1 x A19/Medium (E26)/75W/120V Incandescent 1 x A19/Medium (E26)/120V LED

Technical Information

PRODUCT DIMENSIONS	Overall Length: 40.5"
---------------------------	-----------------------

SPEC # VEN1800



COMPANY	PROJECT	FIXTURE TYPE	APPROVED BY	DATE