



DESIGNER

Antonio Citterio

BRAND

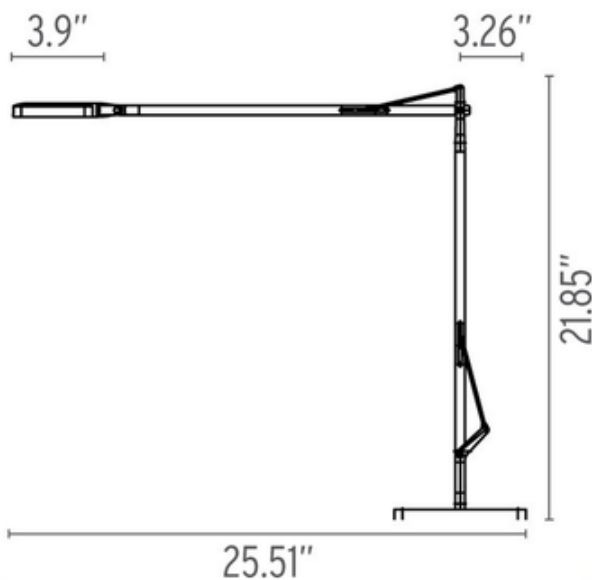
FLOS

DESCRIPTION

Kelvin LED Presence Detection Table Lamp features unique fixture in Glossy White, Glossy Black, Chrome or Anthracite finish. In order to activate the Daylight/Motion sensor, simply keep finger on the touch sensor switch on lamp head for a few seconds until it turns from orange to green. The FLOStouch technology touch sensor switch is active at all times allowing for manual control of ON/OFF switch and bypassing the Motion Detector. The Daylight and Motion Sensor function independently of each other. The Daylight sensor will automatically adjust its light output by responding to the brightness of the work surface it is illuminating. The Motion sensor will go into sleep mode after 5 minutes of detecting no movement and will reactivate once it detects movement again. It will turn off completely if it does not detect any movement for 2 hours. One 7.5 watt, 120 volt LED lamp is included. 25.51 inch width x 21.85 inch height. UL Listed



| | |
|----------------------|-----------------------|
| SHADE COLOR | N/A |
| BODY FINISH | Gloss White |
| WATTAGE | 7.5W |
| DIMMER | Included |
| DIMENSIONS | 25.51"W x 21.85"H |
| BULB INCLUDED | |
| LAMP | 1 x LED/7.5W/120V LED |



SPEC # FLO182231

| COMPANY | PROJECT | FIXTURE TYPE | APPROVED BY | DATE |
|---------|---------|--------------|-------------|------|
| | | | | |