



BRAND

Lightolier by Signify

DESCRIPTION

1000ICV Lytecaster 5 Inch MR16 IC New Construction Frame-In Kit is made of 20 gauge galvanized steel and will accommodate existing ceilings up to 1 inch thick. IC designation allows for housing to be in direct contact with insulation. Includes magnetic low voltage transformer, removable from below. UL listed. Suitable for damp locations. 15.5 inch width x 9 inch depth x 7 5/16 inch height. Lamp type and wattage dependent on frame-in kit/trim combination. A complete fixture includes a frame-in kit and a trim kit, sold separately. Dimmable with a low voltage magnetic dimmer if used with a halogen MR16 lamp.

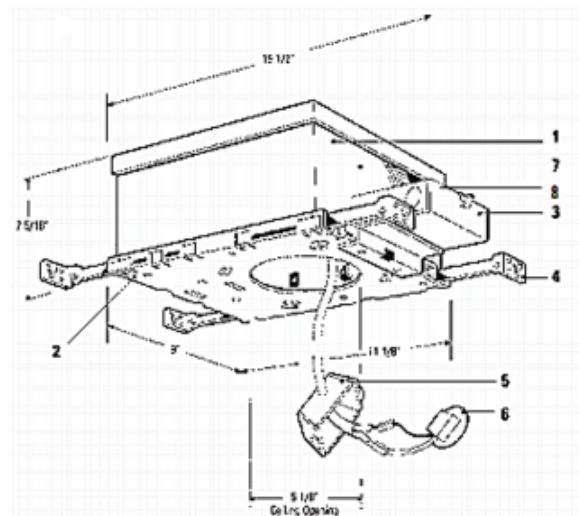


TRIM COLOR	N/A
BODY FINISH	Galvanized Steel
WATTAGE	50W
DIMMER	Dimmable
DIMENSIONS	15.5"W x 7.3"H x 9"D
BULB NOT INCLUDED	
LAMP	1 x MR16/GU5.3 (bipin)/50W/12V Halogen 1 x MR16/GU5.3 (bipin)/12V LED

Technical Information

CEILING TYPE	Drywall with Trim
HOUSING TYPE	New construction IC
HOUSING HEIGHT	8"
APERTURE SIZE	5.000"

SPEC # LTL18962



COMPANY	PROJECT	FIXTURE TYPE	APPROVED BY	DATE