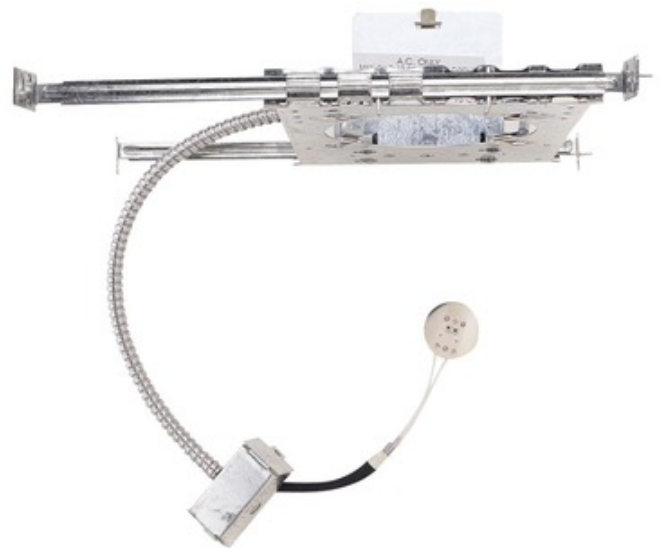




**BRAND** Lightolier by Signify

**DESCRIPTION**

1000LVNT Lytecaster 5 Inch Low Voltage MR16 Non-IC Standard New Construction Frame-In Kit is made of 20 gauge galvanized steel and will accommodate existing ceilings up to 1 inch thick. Non-IC designation requires that insulation be kept a minimum of 3 inches away from housing. Housing does not include transformer. UL listed. Suitable for damp locations. 5 1/8 inch ceiling opening. 9 5/8 inch width x 7.5 inch depth. Overall height dependent on selected trim option. Lamp type and wattage dependent on frame-in kit/trim combination. A complete fixture includes a frame-in kit, trim kit and remote transformer, sold separately.

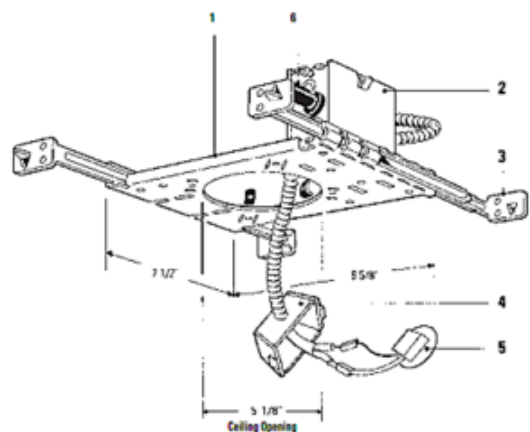


<b>TRIM COLOR</b>	N/A
<b>BODY FINISH</b>	Galvanized Steel
<b>WATTAGE</b>	65W
<b>DIMMER</b>	Dimmable
<b>DIMENSIONS</b>	9.6"W x 7.5"D
<b>BULB NOT INCLUDED</b>	
<b>LAMP</b>	1 x MR16/GU5.3 (bipin)/65W/12V Halogen 1 x MR16/GU5.3 (bipin)/12V LED

*Technical Information*

<b>CEILING TYPE</b>	Drywall with Trim
<b>HOUSING TYPE</b>	Remote transformer
<b>HOUSING HEIGHT</b>	8"
<b>APERTURE SIZE</b>	5.000"

**SPEC #** LTL18964



COMPANY	PROJECT	FIXTURE TYPE	APPROVED BY	DATE