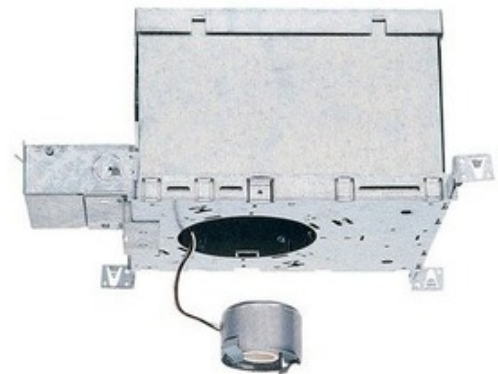




**BRAND** Lightolier by Signify

**DESCRIPTION**

Lytecaster 1000P1 5 Inch Non-IC Standard Frame-In Kit is made of 20 gauge galvanized steel and will accommodate existing ceilings up to 1 inch thick. Non-IC designation requires that insulation must be kept a minimum of 3 inches away from housing. UL listed. Suitable for damp locations. 14 inch width x 9 inch depth x 6 7/8 inch height. Lamp type and wattage dependent on frame-in kit/trim combination. A complete fixture includes a frame-in kit and a trim kit, sold separately.



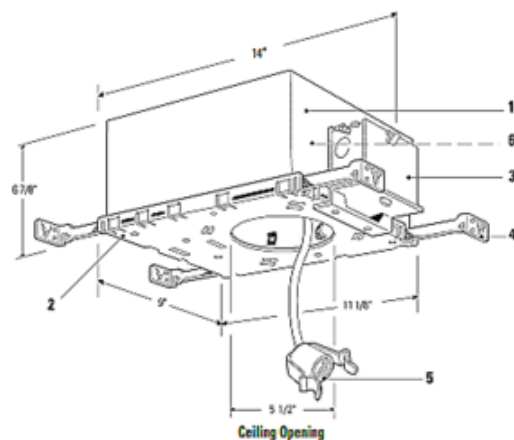
<b>TRIM COLOR</b>	N/A
<b>BODY FINISH</b>	Galvanized Steel
<b>WATTAGE</b>	72W
<b>DIMMER</b>	Dimmable
<b>DIMENSIONS</b>	14"W x 6.9"H x 9"D
<b>BULB NOT INCLUDED</b>	

<b>LAMP</b>	1 x A19/Medium (E26)/72W/120V Incandescent
	1 x A19/Medium (E26)/120V LED
	1 x PAR30L/Medium (E26)/120V Halogen
	1 x PAR30L/Medium (E26)/120V LED
	1 x R20/Medium (E26)/120V Incandescent

*Technical Information*

<b>CEILING TYPE</b>	Drywall with Trim
<b>HOUSING TYPE</b>	New Construction NON IC
<b>HOUSING HEIGHT</b>	7"
<b>APERTURE SIZE</b>	5.000"

**SPEC #** LTL18966



COMPANY	PROJECT	FIXTURE TYPE	APPROVED BY	DATE