



BRAND Lightolier by Signify

DESCRIPTION

1004SIC Lytecaster Lytening 5 Inch Shallow Incandescent Convertible IC/Non-IC New Construction Frame-In Kit is made of aluminum and is suitable for IC and Non-IC ceilings. IC designation allows for insulation to be in direct contact with housing. Non-IC designation requires that insulation be kept a minimum of 3 inches away from housing. 2 inch vertical adjustment in ceiling. UL listed. Suitable for damp locations. 5 3/8 inch ceiling opening. 13 inch width x 9 inch depth x 5.5 inch height. Wall wash 1085 trim and enclosed diffuser 1024 trim options for Non-IC applications only. Optional AirSeal kit available, sold separately. Lamp type and wattage dependent on frame-in kit/trim combination. A complete fixture includes a frame-in kit and a trim kit, sold separately.



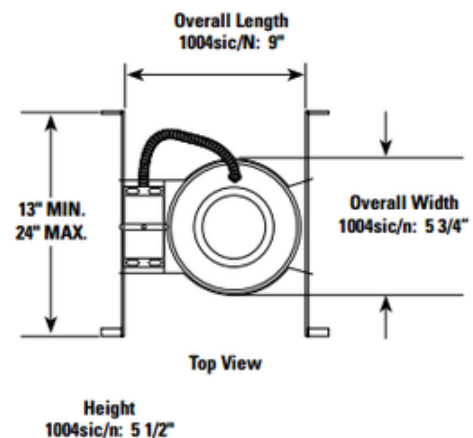
TRIM COLOR	N/A
BODY FINISH	Aluminum
WATTAGE	50W
DIMMER	Dimmable
DIMENSIONS	9"L x 5.75"W x 5.5"H
BULB NOT INCLUDED	

LAMP	1 x PAR30S/Medium (E26)/50W/120V Halogen
	1 x PAR30S/Medium (E26)/120V LED
	1 x A19/Medium (E26)/120V Incandescent
	1 x A19/Medium (E26)/120V LED
	1 x BR30/Medium (E26)/120V Halogen

Technical Information

CEILING TYPE	Drywall with Trim
HOUSING TYPE	New Construction NON IC
HOUSING HEIGHT	6"
APERTURE SIZE	5.000"

SPEC # LTL18980



COMPANY	PROJECT	FIXTURE TYPE	APPROVED BY	DATE