



BRAND

Lightolier by Signify

DESCRIPTION

2000LVNT Lytecaster 3.75 Inch Low Voltage MR16 Non-IC Remote Transformer New Construction Frame-In Kit is made of 20 gauge galvanized steel and will accommodate existing ceilings up to 1 inch thick. Non-IC designation requires that insulation be kept a minimum of 3 inches away from housing. Housing does not include transformer. UL listed. Suitable for damp locations. 3 11/16 inch ceiling opening. 9 5/8 inch length x 7.5 inch width. Overall height dependent on selected trim option. Lamp type and wattage dependent on trim kit and frame-in kit combination per attached manufacturer spec sheet. A complete fixture consists of a trim kit and frame-in kit, sold separately. A 12 volt magnetic low voltage remote transformer is required, sold separately.

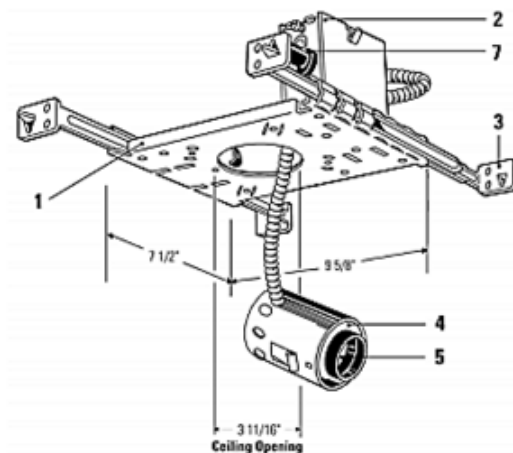


TRIM COLOR	N/A
BODY FINISH	Galvanized Steel
WATTAGE	50W
DIMMER	Dimmable
DIMENSIONS	9.6"L x 7.5"W
BULB NOT INCLUDED	
LAMP	1 x MR16/GU5.3 (bipin)/50W/12V Halogen 1 x MR16/GU5.3 (bipin)/12V LED

Technical Information

CEILING TYPE	Drywall with Trim
HOUSING TYPE	New Construction NON IC
HOUSING HEIGHT	6"

SPEC # LTL19223



COMPANY	PROJECT	FIXTURE TYPE	APPROVED BY	DATE