

# Lytespan Alcyon Glass Ring MR16 Track Head



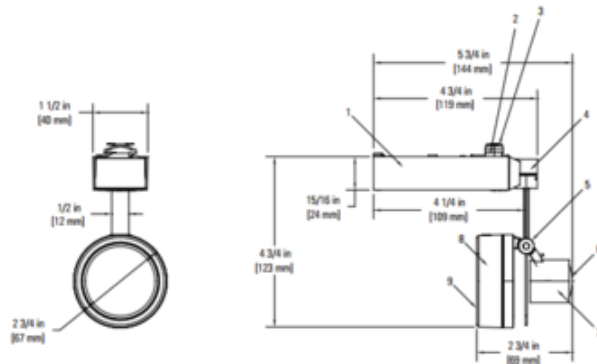
**Description:**

Alcyon Glass Ring MR16 track head features a glass shield which adds a decorative flare to the minimal design. Wireless stem with infinite horizontal rotation, compact electronic transformer housing, and lamp forward design for easy relamping. Vertical pivot from 0 to 90 degrees. Available in Matte Black, Matte White or Metallic Aluminum. Etched borosilicate glass twists on/off. One 50 watt, 12 volt GU5.3 MR16 halogen lamp is required, but not included. UL listed. 2.75 inch diameter x 2.75 inch depth x 4.75 inch length. Compatible with Lytespan Basic 1-circuit, Advent 1 or 2 circuit, and Radius 1-circuit track systems.

Shown in: Matte Black

**List Price:** \$291.56  
**Our Price:** \$174.94

**Shade Color:** N/A  
**Body Finish:** Matte Black  
**Lamp:** 1 x MR16/GU5.3 (bipin)/50W/12V Halogen  
 1 x MR16/GU5.3 (bipin)/12V LED  
**Wattage:** 50W  
**Dimmer:** Low Voltage Electronic  
**Dimensions:** 4.75"L x 2.75"W x 2.75"D



Product Number: <b>LTL19277</b>			
Company:		Fixture Type:	Date: Feb 19, 2018
Project:		Approved By:	

#1224LY-GLSRING-003H1-OOBK

Fax: (773) 883-6131

Phone: 866-954-4489

Address: 1718 W. Fullerton Ave. Chicago IL 60614

www.Lightology.com